



# Technical Data

## Centrifugal Pump - EH100-80-160

Revision no.

Page:

1

Receiver

From

 Company name  
 Respons. Department  
 Person in charge  
 Phone number  
 Fax no  
 E-mail address

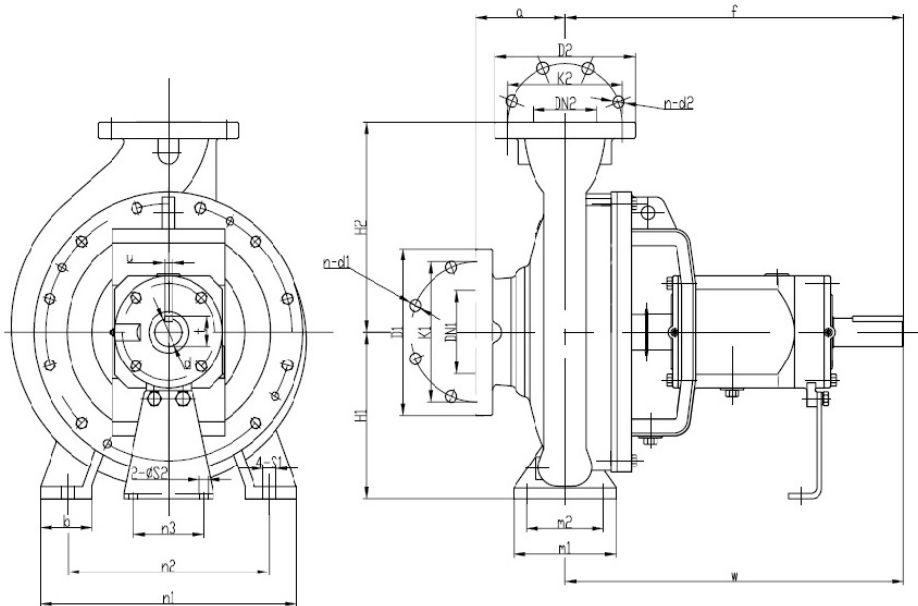
--	--



**Brand: Gol Pumps**  
**Model: EH100-80-160**

Weight (lb)	
Pump	150

### Dimensions:



Suction flange	Suction		Discharge	Discharge		Imp. Dia		Shaft no.
	mm	in		mm	in	mm	in	
DN100	100	4	DN80	80	3	160	6.4	2

#### Pump installation size (inch)

a	f	h1	h2	b	m1	m2	n1	n2	n3	c1	c2	w	S1	S2	d	t	u	l
4	20	6.4	8	2.6	5	3.8	11.2	8.5	4.4	0.6	0.2	14.8	M12	M12	1.3	1.4	0.4	3.2

Project

Project ID

Created by

Created on

Last update



# Performance Curves

## Centrifugal Pump - EH100-80-160

Revision no.

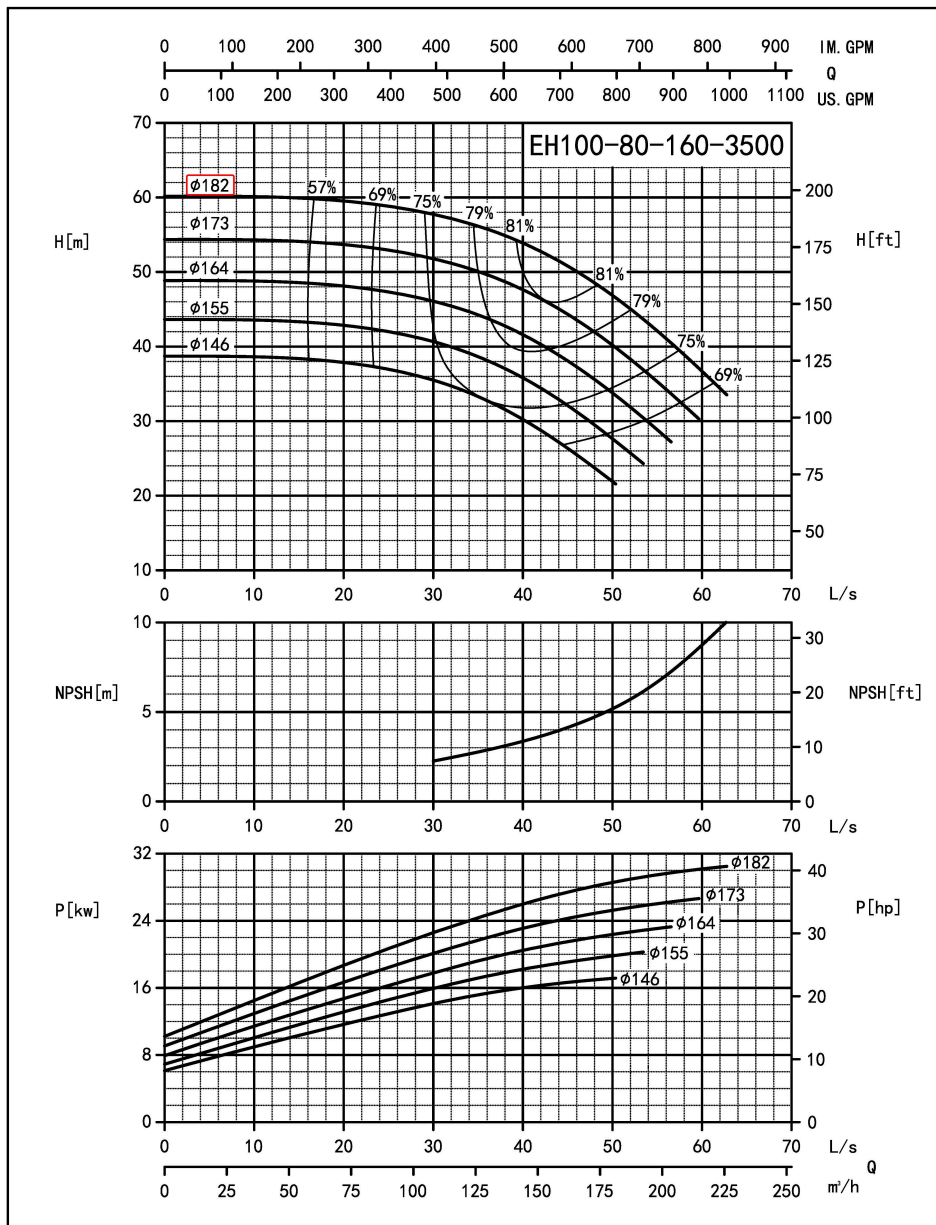
 Page:  
3

Receiver

From

 Company name  
 Respons. Department  
 Person in charge  
 Phone number  
 Fax no  
 E-mail address

Model	Capacity				Head		Speed r/min	Power			Motor Model	Eff %	Impeller Dia.		NPSHr m	
	m <sup>3</sup> /h	L/s	GPM	GPH	m	Ft		Shaft	Motor							
								kw	kw	HP						
EH100-80-160	99.06	27.52	436.1	26166	58.41	191.6	3500	21.54	30.00	40.00	Y2-200L2-2 37KW	73.2	182	7.2	2.3	
	165.10	45.86	726.9	43614	50.11	164.4		27.83	37.00	50.00					81	4.1
	198.12	55.03	872.3	52338	42.10	138.1		29.55	37.00	50.00					76.9	6.8



Performance to ISO9906 Grade 2 for clean cold water only

EF-A01/1603

Project

Project ID

Created by

Created on

Last update