



# Technical Data

## Centrifugal Pump - EH80-50-200

Revision no.

Page:

1

Receiver

From

 Company name  
 Respons. Department  
 Person in charge  
 Phone number  
 Fax no  
 E-mail address

|  |
|--|
|  |
|  |
|  |
|  |
|  |

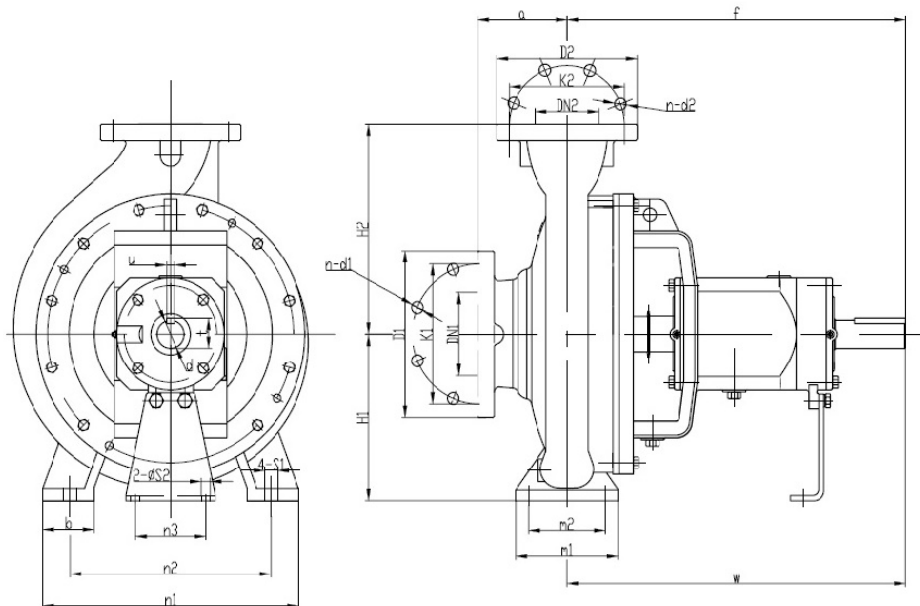
|  |
|--|
|  |
|  |
|  |
|  |
|  |



**Brand: Gol Pumps**  
**Model: EH80-50-200**

| Weight (lb) |     |
|-------------|-----|
| Pump        | 117 |

### Dimensions:



| Suction flange | Suction |     | Discharge | Discharge |    | Imp. Dia |    | Shaft no. |
|----------------|---------|-----|-----------|-----------|----|----------|----|-----------|
|                | mm      | in  |           | mm        | in | mm       | in |           |
| DN80           | 80      | 3.2 | DN50      | 50        | 2  | 200      | 8  | 1         |

Pump installation size (inch)

| a | f    | h1  | h2 | b | m1 | m2  | n1   | n2  | n3  | c1  | c2  | w    | S1  | S2  | d   | t   | u   | l |
|---|------|-----|----|---|----|-----|------|-----|-----|-----|-----|------|-----|-----|-----|-----|-----|---|
| 4 | 15.4 | 6.4 | 8  | 2 | 4  | 2.8 | 10.6 | 8.5 | 4.4 | 0.5 | 0.2 | 11.4 | M12 | M12 | 0.9 | 1.1 | 0.3 | 2 |

Project

Project ID

Created by

Created on

Last update



# Performance Curves

## Centrifugal Pump - EH80-50-200

Revision no.

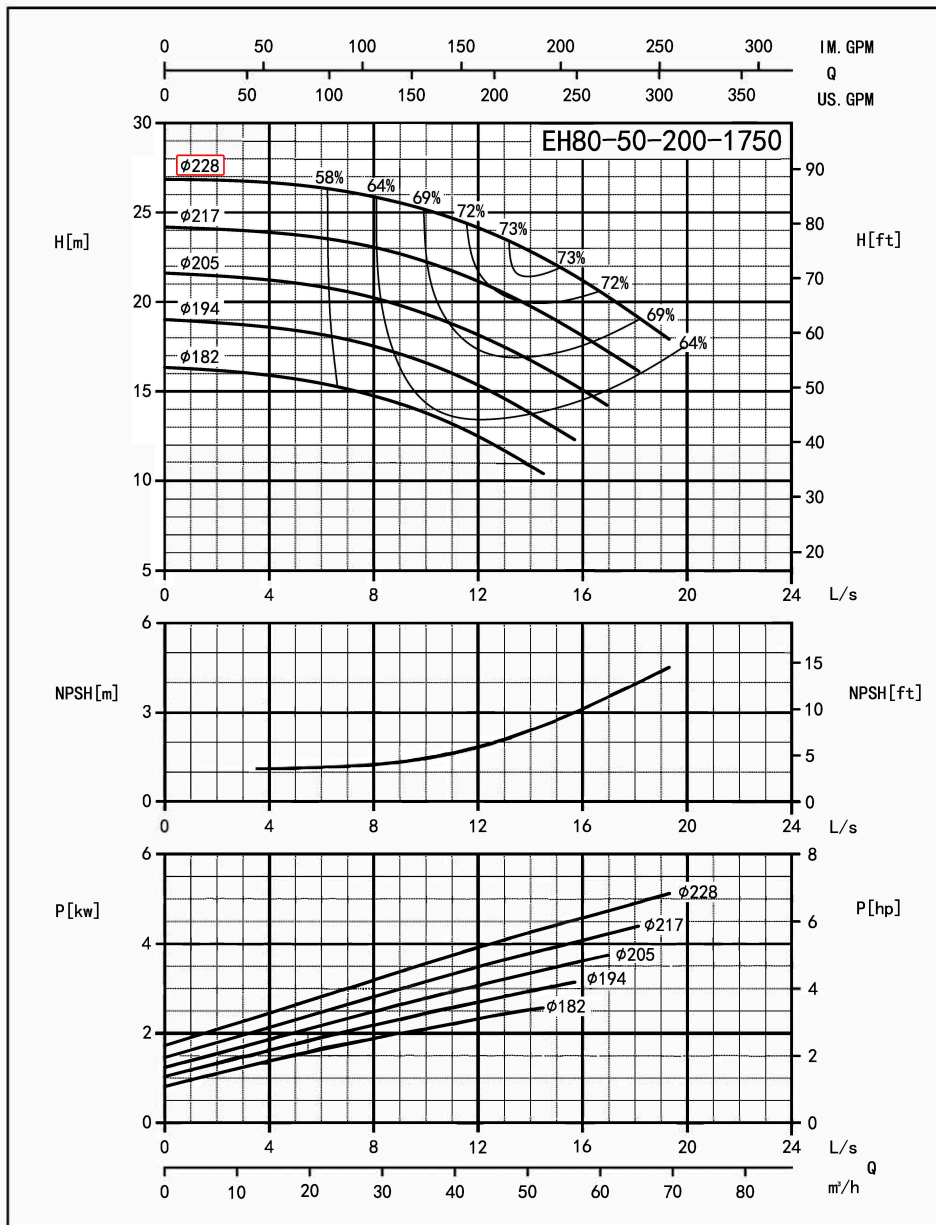
Page:  
2

Receiver

From

Company name  
Respons. Department  
Person in charge  
Phone number  
Fax no  
E-mail address

| Model       | Capacity          |       |       |       | Head  |      | Speed<br>r/min | Power |       |      | Motor Model        | Eff<br>% | Impeller Dia. |     | NPSHr<br>m |     |
|-------------|-------------------|-------|-------|-------|-------|------|----------------|-------|-------|------|--------------------|----------|---------------|-----|------------|-----|
|             | m <sup>3</sup> /h | L/s   | GPM   | GPH   | m     | Ft   |                | Shaft | Motor |      |                    |          |               |     |            |     |
|             |                   |       |       |       |       |      |                | kw    | kw    | HP   |                    |          |               |     |            |     |
| EH80-50-200 | 31.28             | 8.69  | 137.7 | 8262  | 25.78 | 84.6 | 1750           | 3.32  | 4.00  | 5.50 | Y2-132S-4<br>5.5KW | 66.2     | 228           | 9.0 | 1.3        |     |
|             | 52.14             | 14.48 | 229.6 | 13776 | 22.43 | 73.6 |                | 4.37  | 5.50  | 7.50 |                    |          |               |     | 73         | 2.7 |
|             | 62.57             | 17.38 | 275.5 | 16530 | 19.81 | 65.0 |                | 4.78  | 5.50  | 7.50 |                    |          |               |     | 70.7       | 3.8 |



Performance to ISO9906 Grade 2 for clean cold water only

EF-A01/1603

|         |            |            |            |             |
|---------|------------|------------|------------|-------------|
| Project | Project ID | Created by | Created on | Last update |
|---------|------------|------------|------------|-------------|