

# JNCB 32-125A

Kin. viscosity at t A

ft<sup>2</sup>/s

1.082E-5

## 3600 rpm

## 1800 rpm

Pump			
Pump name	JNCB 32-125 A		
Size	50/32/125		
Design			
Speed rpm	1800	No of stages	1
Impeller type			
Flow	Nominal	US g.p.m.	
	Max-	US g.p.m. 70.5	
	Min-	US g.p.m. 13.2	
Head	Nominal	ft	
	Max-	ft 31.1	
	Min-	ft 14.9	
Head H(Q=0)	ft 31.3		
NPSH 3%	ft		
Max. working pressure	psi 13.6		
Shaft power	hp		
Efficiency	%		
	hp	0.59259	

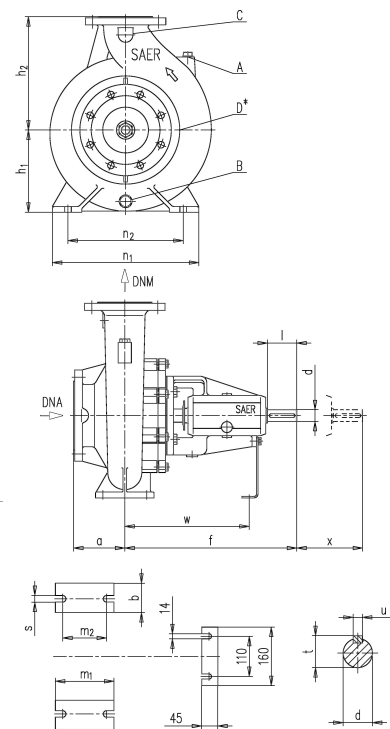
Pump			
Pump name	NCB 32-125 A		
Size	50/32/125		
Design			
Speed rpm	3600	No of stages	1
Impeller type			
Flow	Nominal	US g.p.m.	
	Max-	US g.p.m. 106	
	Min-	US g.p.m. 35.2	
Head	Nominal	ft	
	Max-	ft 121	
	Min-	ft 61.9	
Head H(Q=0)	ft 123		
NPSH 3%	ft		
Max. working pressure	psi 53.1		
Shaft power	hp		
Efficiency	%		
Max absorbed power	hp 3.2775		

### Materials Pump

Shaft	Stainless steel AISI 431 (1.4057)		
Impeller	Cast iron EN-GJL-250		
Pump body	Cast iron EN-GJL-250		
Seal disc	Cast iron EN-GJL-250		
Gasket	Natural fiber		
Mech. seal EN 12756			
Seal face	Carbon graphite resin impreg.		
Seat	Alumina Oxide		
Rubber elements	EPDM Rubber		
Spring and metal bellows	Stainless steel AISI 316		
<b>Motor</b>	Frame size		
Manufacturer / Type			
Rated power	hp	Efficiency	4/4
Electric current	A	Speed	rpm
Electric voltage	V		Hz
Starting mode			
Degree of protection	Insulation class		

### Dimensions in inch

A	3/8"	n2	5 1/2
a	3/8	s	9/16
B	3/8"	t	1 1/16
b	1 5/16	u	5/16
C	1/4"	w	10 1/4
d k6	1 5/16	x	3 15/16
D	3/8"		
DNA	DN 50		
DNM	DN 32		
f	14 3/16		
h1	4 7/16		
h2	5 1/2		
l	1 15/16		
m1	3 3/16		
m2	2 3/4		
n1	7 1/2		

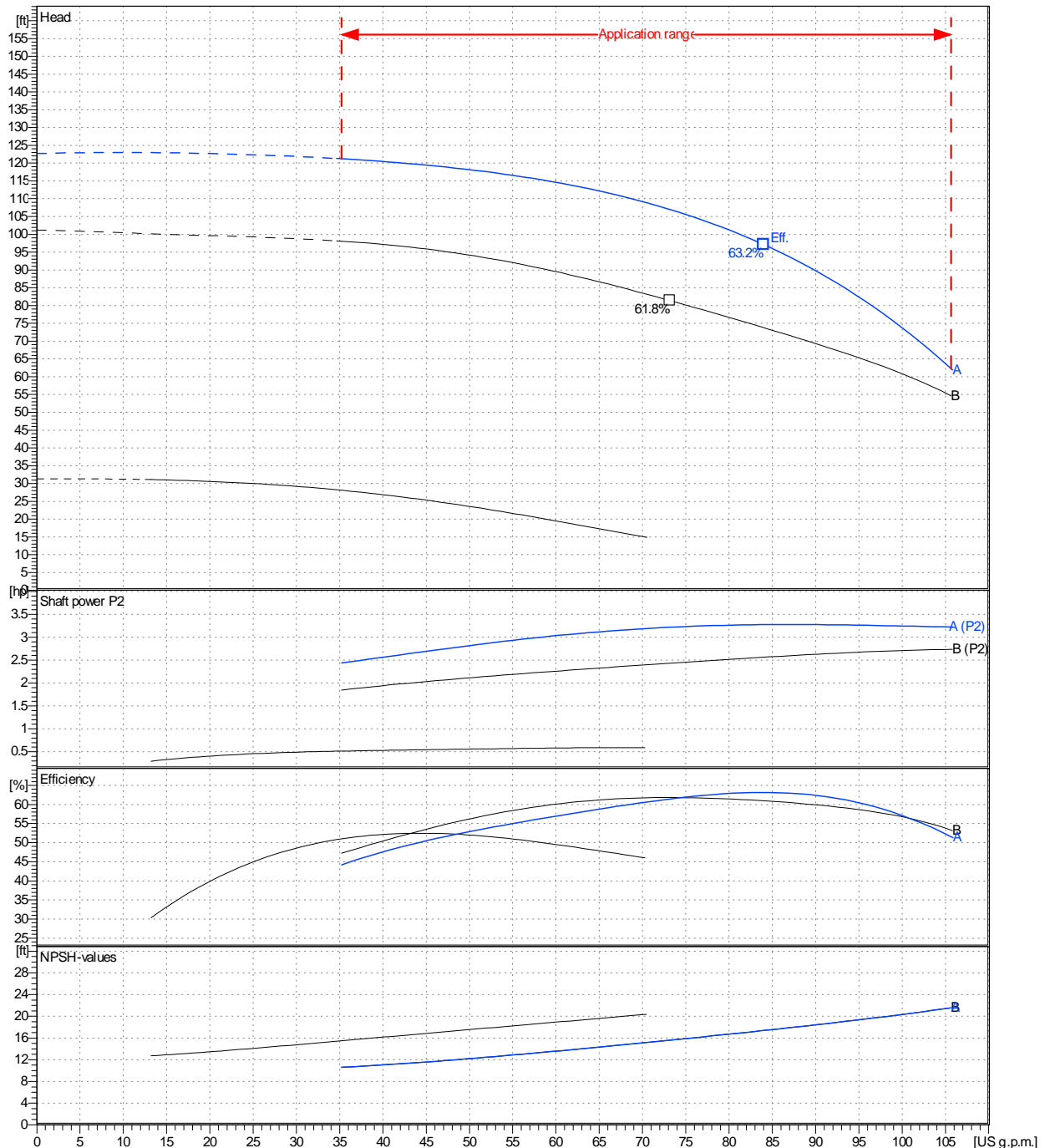


# JNCB 32-125A (3600 RPM)

data specification									Impeller type	Closed	
									Impeller construction	Clockwise from the drive end	
									Sense of rotation	Clockwise from the drive end	
									Outlet width	DN 32	
Flow			Head		Shaft power P2				Speed	rpm	3600
Min.	Max.	$\eta$ Max.	H(Q=0)	$\eta$ Max.	P2(Q=0)	Max.	$\eta$ Max.	Frequency	Hz	60	
US g.p.m.	US g.p.m.	US g.p.m.	ft	ft	hp	hp	hp				
35.2	106	84	123	97.1		3.28	3.27				

Performance data based to: Water, pure [100%]; 68°F; 62.3lb/ft³; 1.08E-5ft²/s

UNI EN ISO 9906:2012 - Grade 3B

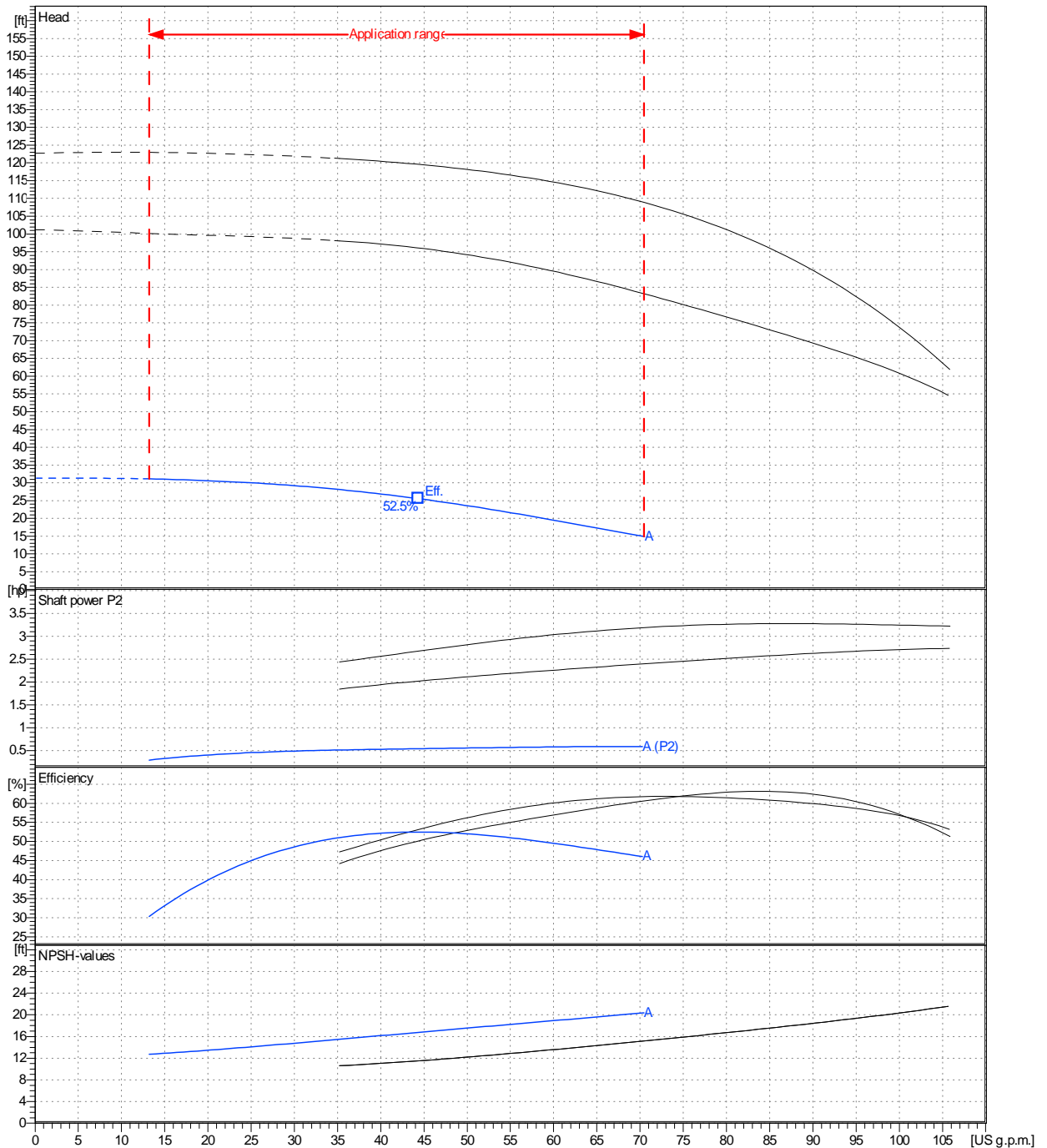


# JNCB 32-125A (1800RPM)

data specification									Impeller type	
									Impeller construction	Closed
									Sense of rotation	
									Clockwise from the drive end	
									Outlet width	
									DN 32	
Flow			Head		Shaft power P2			Speed	rpm	1800
Min.	Max.	$\eta$ Max.	H(Q=0)	$\eta$ Max.	P2(Q=0)	Max.	$\eta$ Max.	Frequency	Hz	60
US g.p.m.	US g.p.m.	US g.p.m.	ft	ft	hp	hp	hp			
13.2	70.4	44.3	31.3	25.6		0.593	0.543			

Performance data based to: Water, pure [100%]; 68°F; 62.3lb/ft³; 1.08E-5ft²/s

UNI EN ISO 9906:2012 - Grade 3B



--	--	--	--