

JNCB 40-200A

Inlet pressure	psi 1.42
Fluid	Water, pure
Operating temperature t A	°F 68
Density at t A	lb/ft³ 62.32
Kin. viscosity at t A	ft²/s 1.082E-5

Pump

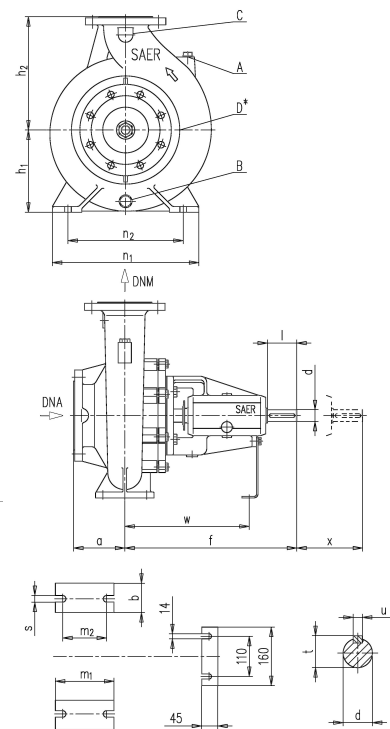
Pump name	JNCB 40-200 A		
Size	65/40/200		
Design			
Speed rpm	1800	No of stages	1
Impeller type			
Flow	Nominal	US g.p.m.	
	Max-	US g.p.m.	132
	Min-	US g.p.m.	22
Head	Nominal	ft	
	Max-	ft	63.6
	Min-	ft	31.6
Head H(Q=0)			ft 65.6
NPSH 3%			ft
Max. working pressure			psi 28.4
Shaft power			hp
Efficiency			%
Max absorbed power			hp 2.1491

Materials Pump

Shaft	Stainless steel AISI 431 (1.4057)
Impeller	Cast iron EN-GJL-250
Pump body	Cast iron EN-GJL-250
Seal disc	Cast iron EN-GJL-250
Gasket	Natural fiber
Mech. seal EN 12756	
Seal face	Carbon graphite resin impreg.
Seat	Alumina Oxide
Rubber elements	EPDM Rubber
Spring and metal bellows	Stainless steel AISI 316

Dimensions in inch

a	3 ¹⁵ / ₁₆	n2	8 ³ / ₈
A	3/8"	s	9/16
B	3/8"	t	1 ¹ / ₁₆
b	1 ¹⁵ / ₁₆	u	5/16
C	1/4"	w	10 ¹ / ₄
d k6	1 ⁵ / ₁₆	x	3 ¹⁵ / ₁₆
D	3/8"		
DNA	DN 65		
DNM	DN 40		
f	14 ³ / ₁₆		
h1	6 ⁵ / ₁₆		
h2	7 ¹ / ₁₆		
l	1 ¹⁵ / ₁₆		
m1	3 ¹⁵ / ₁₆		
m2	2 ³ / ₄		
n1	10 ⁷ / ₁₆		



C	3 ⁷ / ₁₆	C	4 ¹³ / ₁₆
D	5 ⁷ / ₁₆	D	7 ⁵ / ₁₆
DN	1 ⁹ / ₁₆	DN	2 ³ / ₁₆
K	4 ⁵ / ₁₆	K	5 ¹ / ₁₆
n°	3/16	n°	3/16
ø n	3/4	ø n	3/4

Performance curves

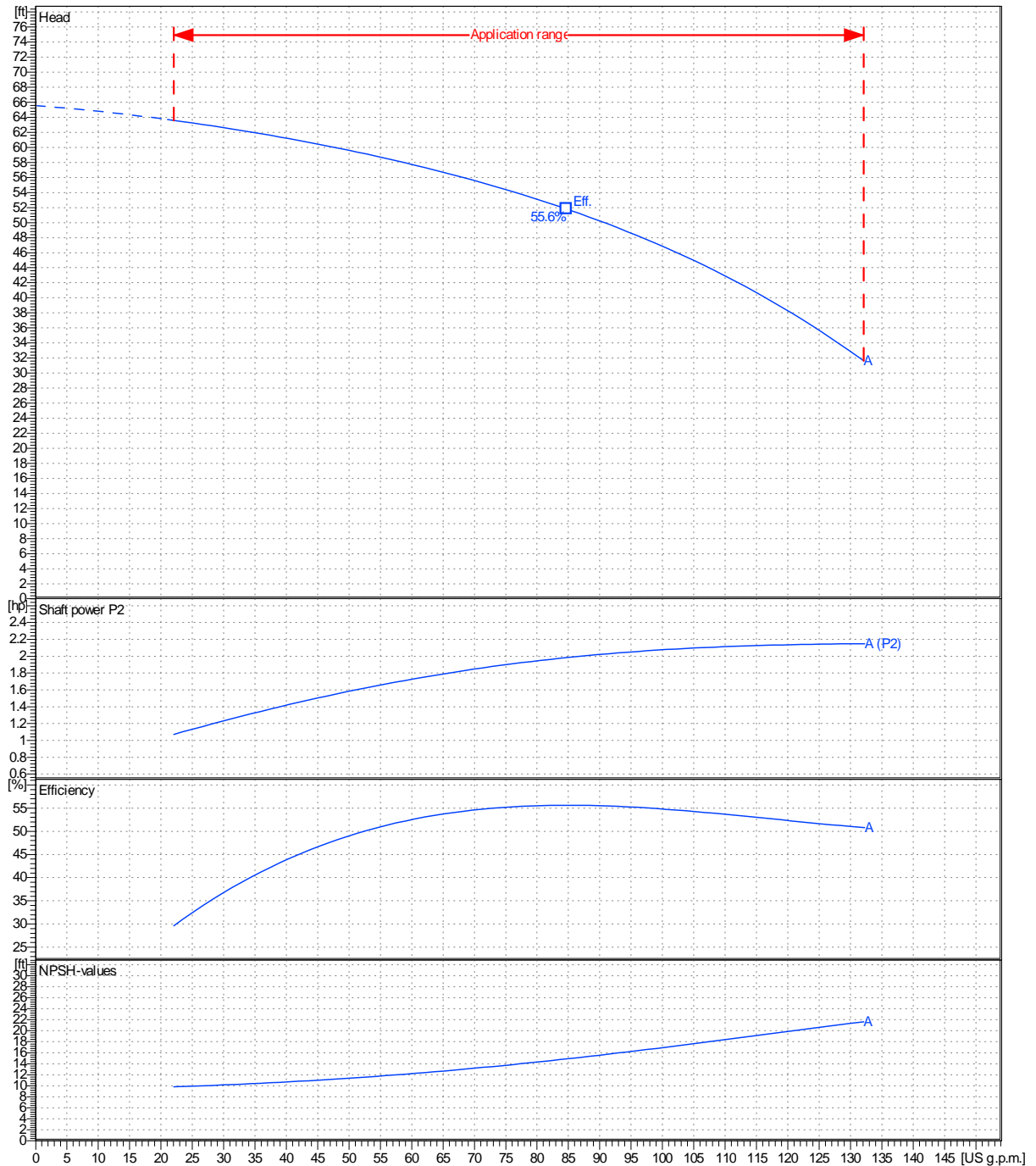
JNCB 40-200A (1800 RPM)



									Impeller type	
									Impeller construction	Closed
									Sense of rotation	Clockwise from the drive end
									Outlet width	DN 40
Flow			Head		Shaft power P2			Speed	rpm	1800
Min.	Max.	η Max.	H(Q=0)	η Max.	P2(Q=0)	Max.	η Max.	Frequency	Hz	
US g.p.m.	US g.p.m.	US g.p.m.	ft	ft	hp	hp	hp			
22	132	84.7	65.6	51.8		2.15	1.98			

Performance data based to: Water, pure [100%]; 68°F; 62.3lb/ft³; 1.08E-5ft²/s

UNI EN ISO 9906:2012 - Grade 3B



--	--	--	--	--