

# JNCB 40-200NA

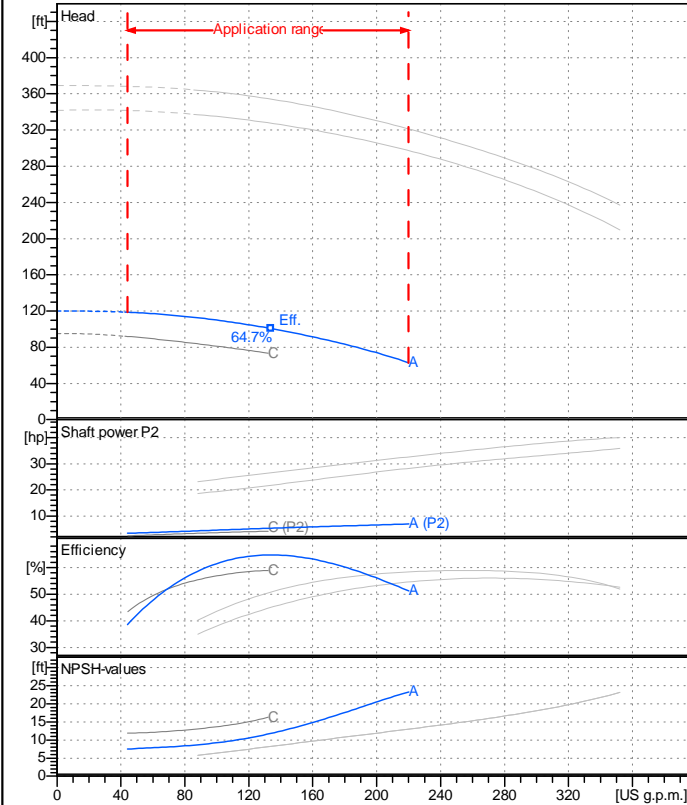
## Data specification

### 1800RPM

Inlet pressure	psi 1.42
Fluid	Water, pure
Operating temperature t A	°F 68
Density at t A	lb/ft³ 62.32
Kin. viscosity at t A	ft²/s 1.082E-5

#### Pump

Pump name	JNCB 40-250 N A		
Size	65/40/250		
Design			
Speed rpm	1800	No of stages	1
Impeller type			
Flow	Nominal	US g.p.m.	
	Max-	US g.p.m. 220	
	Min-	US g.p.m. 44	
Head	Nominal	ft	
	Max-	ft 119	
	Min-	ft 63	
Head H(Q=0)	ft 120		
NPSH 3%	ft		
Max. working pressure	psi 52		
Shaft power	hp		
Efficiency	%		
Max absorbed power	hp 6.9395		



#### Materials Pump

Shaft	Stainless steel AISI 431 (1.4057)
Impeller	Cast iron EN-GJL-250
Pump body	Cast iron EN-GJL-250
Seal disc	Cast iron EN-GJL-250
Gasket	Natural fiber

#### Mech. seal EN 12756

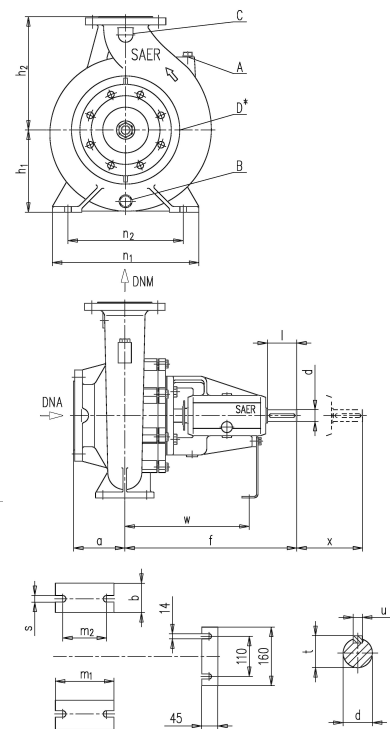
Seal face	Carbon graphite resin impreg.
Seat	Alumina Oxide
Rubber elements	EPDM Rubber
Spring and metal bellows	Stainless steel AISI 316

<b>Motor</b>	Frame size	
Manufacturer / Type		
Rated power	hp	Efficiency 4/4
Electric current	A	Speed rpm
Electric voltage	V	Hz
Starting mode		
Degree of protection		Insulation class

Remarks:

#### Dimensions in inch

a	3 <sup>15</sup> / <sub>16</sub>	n2	9 <sup>13</sup> / <sub>16</sub>
A	3/8"	s	9/16
B	3/8"	t	1 <sup>1</sup> / <sub>16</sub>
b	2 <sup>9</sup> / <sub>16</sub>	u	5/16
C	1/4"	w	10 <sup>1</sup> / <sub>4</sub>
d k6	1 <sup>5</sup> / <sub>16</sub>	x	3 <sup>15</sup> / <sub>16</sub>
D	3/8"		
DNA	DN 65		
DNM	DN 40		
f	14 <sup>3</sup> / <sub>16</sub>		
h1	7 <sup>1</sup> / <sub>16</sub>		
h2	8 <sup>7</sup> / <sub>8</sub>		
l	1 <sup>15</sup> / <sub>16</sub>		
m1	4 <sup>15</sup> / <sub>16</sub>		
m2	3 <sup>3</sup> / <sub>4</sub>		
n1	12 <sup>5</sup> / <sub>8</sub>		



C	3 <sup>7</sup> / <sub>16</sub>	C	4 <sup>13</sup> / <sub>16</sub>
D	5 <sup>7</sup> / <sub>8</sub>	D	7 <sup>5</sup> / <sub>16</sub>
DN	1 <sup>9</sup> / <sub>16</sub>	DN	2 <sup>9</sup> / <sub>16</sub>
K	4 <sup>5</sup> / <sub>16</sub>	K	5 <sup>1</sup> / <sub>16</sub>
n°	3 <sup>7</sup> / <sub>16</sub>	n°	3 <sup>7</sup> / <sub>16</sub>
ø n	3/4	ø n	3/4