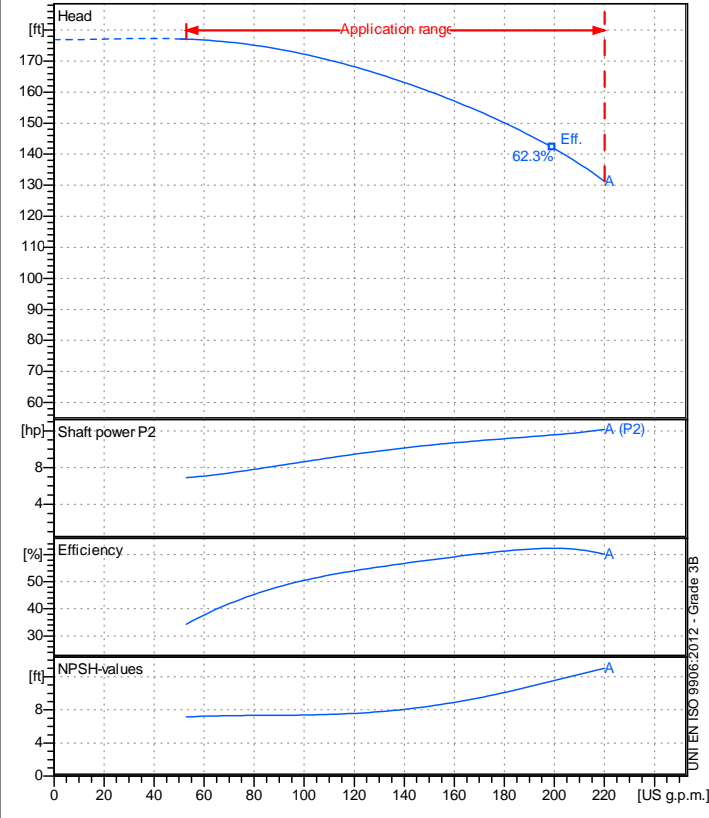


Company name
 Respons. Department
 Person in charge
 Phone number
 Fax no
 E-mail address

Receiver	From



Operating data specification

Nominal flow	US g.p.m. 0
Nominal head	ft 0
Static head	ft 0
NPSH - v value of plant	ft 0
Inlet pressure	psi 1.42
Fluid	Water, pure
Operating temperature t A	°F 68
Density at t A	lb/ft³ 62.32
Kin. viscosity at t A	ft²/s 1.082E-5

Pump		6MG2 40-160N A	
Pump name	6MG2 40-160N A		
Size	50/32/200		
Design			
Speed rpm	3600	No of stages	1
Impeller type			
Flow	Nominal	US g.p.m. 0	
	Max-	US g.p.m. 220	
	Min-	US g.p.m. 52.8	
Head	Nominal	ft 0	
	Max-	ft 177	
	Min-	ft 131	
Head H(Q=0)	ft 177		
NPSH 3%	ft 0		
Max. working pressure	psi 76.6		
Shaft power	hp 12.139		
Efficiency	%		
Max absorbed power	hp 12.139		

Materials Pump

Shaft	Stainless steel AISI 431 (1.4057)		
Impeller	Cast iron EN-GJL-250		
Pump body	Cast iron EN-GJL-250		
Seal disc	Cast iron EN-GJL-250		
Gasket	Natural fiber		
Mechanical seal	BVEG (Grafito/Ossido Allumina/EPDM)		

Dimensions in inch

a	3 ¹ / ₈	z1	10 ¹ / ₄
b	1 ⁵ / ₁₆	z2	8 ¹ / ₂
d	14*4		
DNA	2 ⁹ / ₁₆		
DNM	1 ⁹ / ₁₆		
h1	5 ³ / ₁₆		
h2	6 ⁵ / ₁₆		
l	30 ⁵ / ₈		
m1	3 ¹⁵ / ₁₆		
m2	2 ³ / ₄		
n1	9 ⁷ / ₁₆		
n2	7 ¹ / ₂		
s	9 ¹ / ₁₆		
w	11 ³ / ₄		
x1	12 ⁵ / ₈		
x2	11		



C	3 ⁷ / ₁₆	C	4 ¹³ / ₁₆
D	5 ⁷ / ₈	D	7 ⁵ / ₁₆
DN	1 ⁹ / ₁₆	DN	2 ⁹ / ₁₆
K	4 ⁵ / ₁₆	K	5 ¹¹ / ₁₆
n°	3 ¹ / ₁₆	n°	3 ¹ / ₁₆
Øn	3 ¹ / ₄	Øn	3 ¹ / ₄

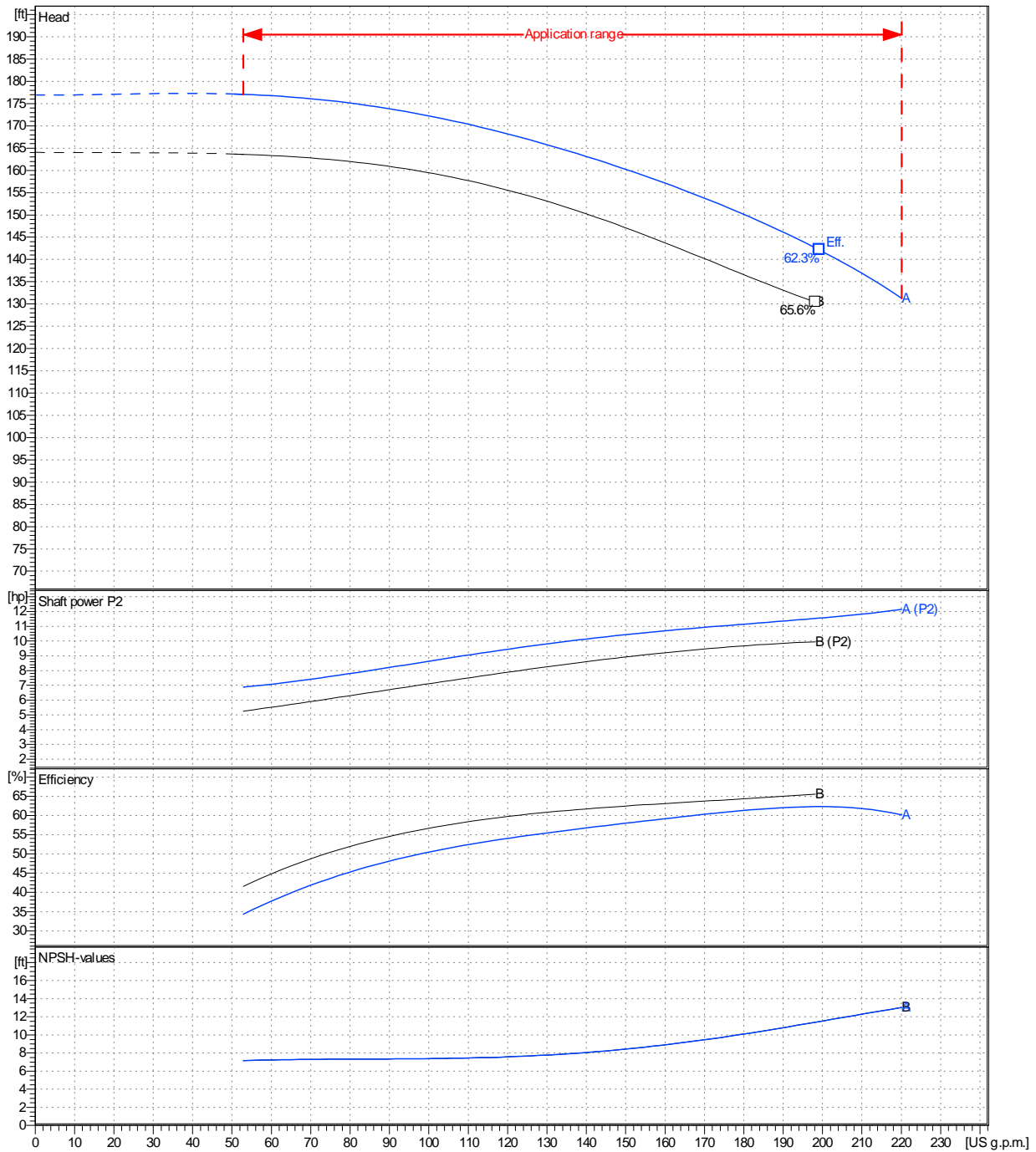
Motor	Frame size	132 M		
Manufacturer / Type	SAER	MEC132M-2P-9,2		
Rated power	hp	12.337	Efficiency 4/4	87.5 %
Electric current	A	14.7	Speed rpm	3600
Electric voltage	V	460 V	3~ Hz	60
Starting mode	Unknown			
Degree of protection	IP 55	Insulation class	F	

Remarks:				
Project	Project ID	Created by	Created on	Last update
			2022-09-19	

Receiver	From
Company name	
Respons. Department	
Person in charge	
Phone number	
Fax no	
E-mail address	

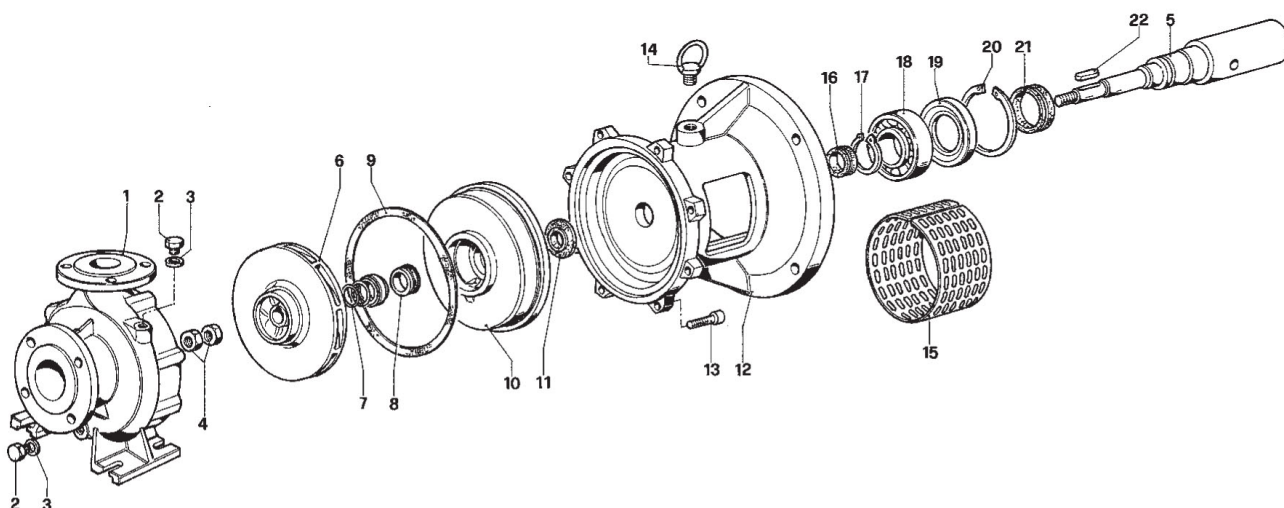
Operating area	Flow	Head	Impeller type
Operating data specification	0 US g.p.m.	0 ft	Impeller construction
Pump data	US g.p.m.	ft	Sense of rotation
			Outlet width
			DN 40
			Speed
			rpm 3600
			Frequency
			Hz 60 Hz

Performance data based to: Water, pure [100%]; 68°F; 62.3lb/ft³; 1.08E-5ft²/s UNI EN ISO 9906:2012 - Grade 3B



Project	Project ID	Created by	Created on	Last update
			2022-09-19	

Company name
Respons. Department
Person in charge
Phone number
Fax no
E-mail address



Project

Project ID

Created by

Created on
2022-09-19

Last update