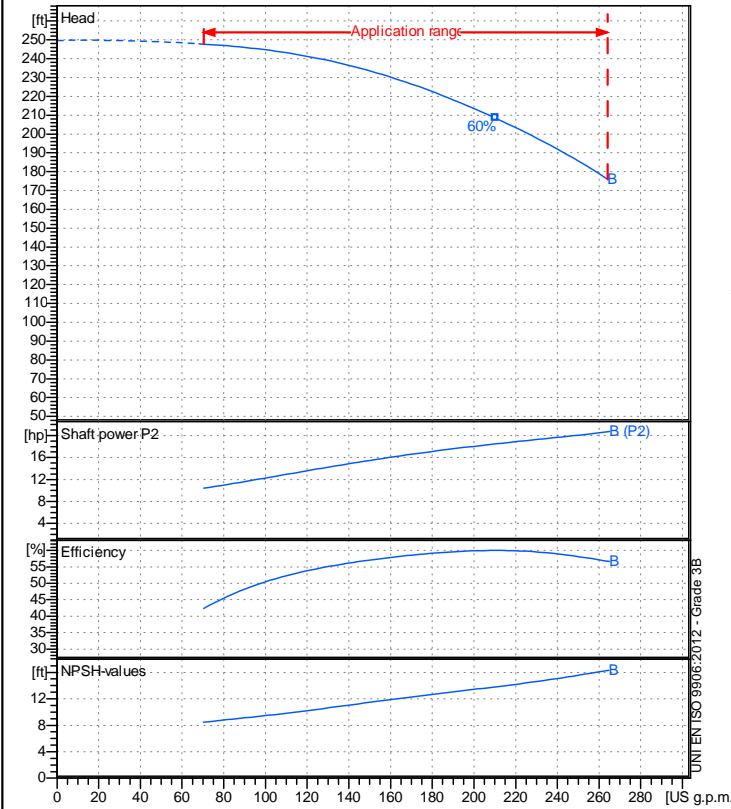


Receiver

From

 Company name
 Respons. Department
 Person in charge
 Phone number
 Fax no
 E-mail address

Operating data specification

| | | |
|---------------------------|-----------|-------------|
| Nominal flow | US g.p.m. | 0 |
| Nominal head | ft | 0 |
| Static head | ft | 0 |
| NPSH - v value of plant | ft | 0 |
| Inlet pressure | psi | 1.42 |
| Fluid | | Water, pure |
| Operating temperature t A | °F | 68 |
| Density at t A | lb/ft³ | 62.32 |
| Kin. viscosity at t A | ft²/s | 1.082E-5 |

Pump

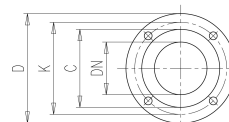
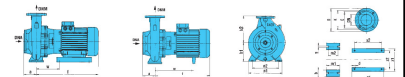
| | | | |
|-----------------------|----------------|--------------|------|
| Pump name | 6MG2 40-200N B | | |
| Size | 50/32/200 | | |
| Design | | | |
| Speed rpm | 3600 | No of stages | 1 |
| Impeller type | | | |
| Flow | Nominal | US g.p.m. | |
| | Max- | US g.p.m. | 264 |
| | Min- | US g.p.m. | 70.4 |
| Head | Nominal | ft | |
| | Max- | ft | 248 |
| | Min- | ft | 176 |
| Head H(Q=0) | ft | 250 | |
| NPSH 3% | ft | | |
| Max. working pressure | psi | 108 | |
| Shaft power | hp | | |
| Efficiency | % | | |
| Max absorbed power | hp | 20.726 | |

Materials Pump

| | | | |
|-----------------|-------------------------------------|--|--|
| Shaft | Stainless steel AISI 431 (1.4057) | | |
| Impeller | Cast iron EN-GJL-250 | | |
| Pump body | Cast iron EN-GJL-250 | | |
| Seal disc | Cast iron EN-GJL-250 | | |
| Gasket | Natural fiber | | |
| Mechanical seal | BVEG (Grafito/Ossido Allumina/EPDM) | | |
| | | | |
| | | | |
| | | | |
| | | | |
| | | | |
| | | | |

Dimensions in inch

| | | | |
|-----|---------------------------------|----|---------------------------------|
| a | 3 ¹⁵ / ₁₆ | z1 | 12 ⁹ / ₁₆ |
| b | 1 ¹⁵ / ₁₆ | z2 | 10 |
| d | 14*4 | | |
| DNA | 2 ⁹ / ₁₆ | | |
| DNM | 1 ⁹ / ₁₆ | | |
| h1 | 6 ⁵ / ₁₆ | | |
| h2 | 7 ¹ / ₁₆ | | |
| l | 37 ⁵ / ₈ | | |
| m1 | 3 ¹⁵ / ₁₆ | | |
| m2 | 2 ³ / ₄ | | |
| n1 | 10 ⁷ / ₁₆ | | |
| n2 | 8 ³ / ₈ | | |
| s | 9 ¹ / ₁₆ | | |
| w | 13 ¹ / ₂ | | |
| x1 | 16 ¹ / ₈ | | |
| x2 | 14 ⁹ / ₁₆ | | |



| | | | |
|----|--------------------------------|----|---------------------------------|
| C | 3 ⁷ / ₁₆ | C | 4 ¹³ / ₁₆ |
| D | 5 ⁷ / ₈ | D | 7 ⁷ / ₁₆ |
| DN | 1 ⁹ / ₁₆ | DN | 2 ⁹ / ₁₆ |
| K | 4 ⁵ / ₁₆ | K | 5 ¹¹ / ₁₆ |
| n° | 3 ¹ / ₁₆ | n° | 3 ¹ / ₁₆ |
| Øn | 3 ¹ / ₄ | Øn | 3 ¹ / ₄ |

| | | | | |
|----------------------|------------|------------------|----------------|--------|
| Motor | Frame size | 160 M | | |
| Manufacturer / Type | SAER | MEC160M-2P-15 | | |
| Rated power | hp | 20.115 | Efficiency 4/4 | 88.5 % |
| Electric current | A | 24.7 | Speed rpm | 3600 |
| Electric voltage | V | 460 V | 3~ | Hz 60 |
| Starting mode | Unknown | | | |
| Degree of protection | IP 55 | Insulation class | F | |

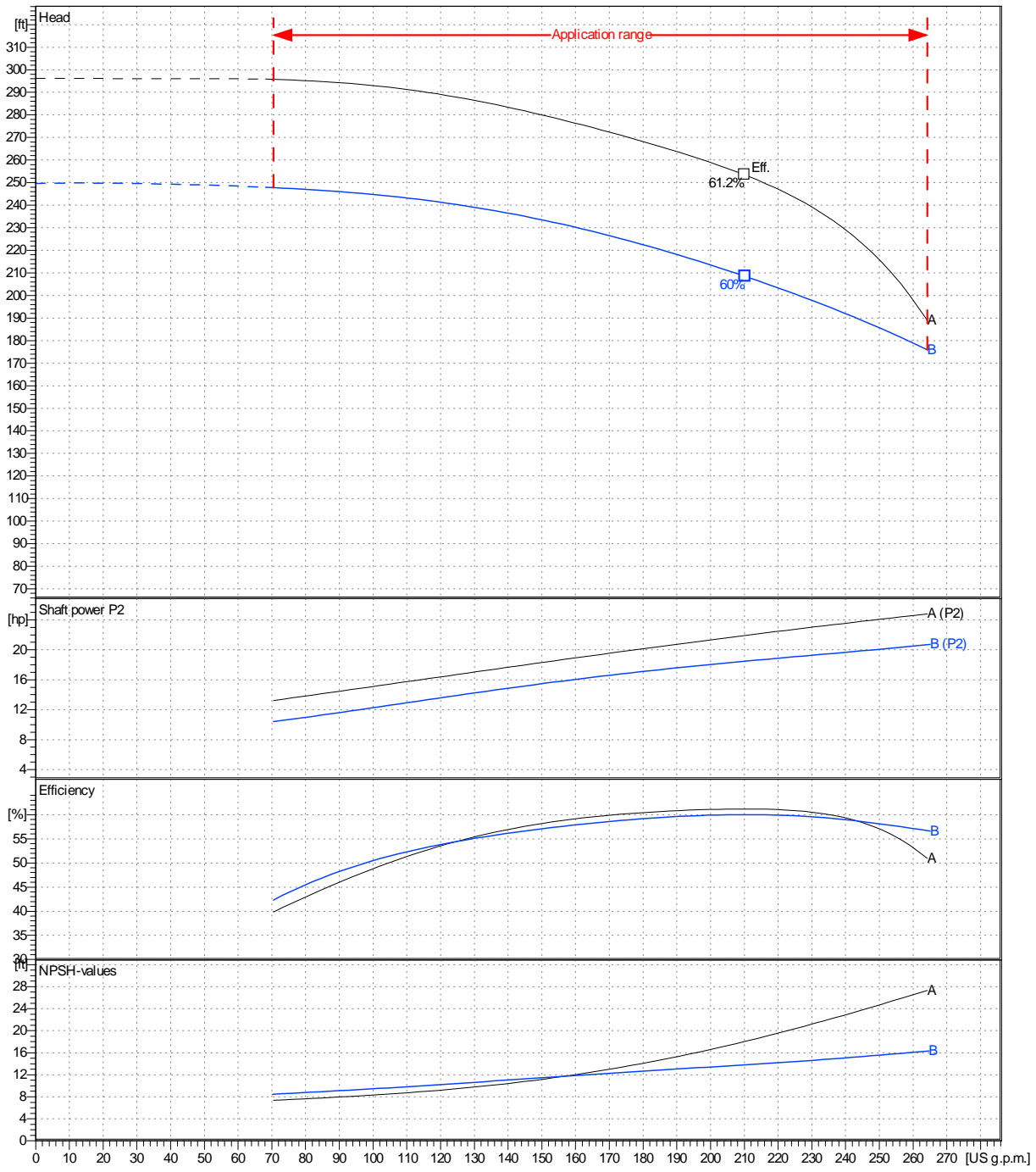
Remarks:

| | | | | |
|---------|------------|------------|------------|-------------|
| Project | Project ID | Created by | Created on | Last update |
| | | | 2022-09-16 | |

| | | |
|---------------------|-----------------|-------------|
| | Receiver | From |
| Company name | | |
| Respons. Department | | |
| Person in charge | | |
| Phone number | | |
| Fax no | | |
| E-mail address | | |

| | | | |
|------------------------------|-------------------------------|--------------------|---|
| Operating area | Flow | Head | Impeller type |
| Operating data specification | 0 US g.p.m. | 0 ft | Impeller construction Closed |
| Pump data | US g.p.m. | ft | Sense of rotation Clockwise from the drive end |
| | | | Outlet width DN 40 |
| | Flow | Head | Shaft power P2 |
| | Min. Max. η Max. | H(Q=0) η Max. | P2(Q=0) Max. η Max. |
| | US g.p.m. US g.p.m. US g.p.m. | ft ft | hp hp hp |
| | 70.4 264 210 | 250 208 | 20.7 18.5 |
| | | | Speed rpm 3600 |
| | | | Frequency Hz 60 Hz |

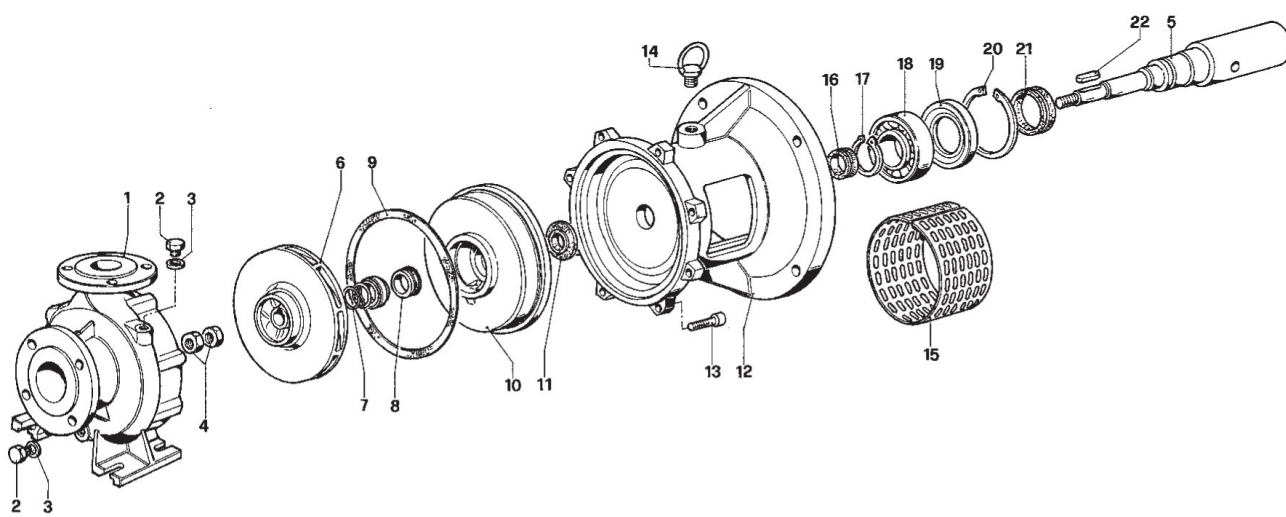
Performance data based to: Water, pure [100%] ; 68°F; 62.3lb/ft³; 1.08E-5ft²/s UNI EN ISO 9906:2012 - Grade 3B



| | | | | |
|---------|------------|------------|---------------------------------|-------------|
| Project | Project ID | Created by | Created on 2022-09-16 | Last update |
|---------|------------|------------|---------------------------------|-------------|

Company name
Respons. Department
Person in charge
Phone number
Fax no
E-mail address

| | |
|--|--|
| | |
| | |
| | |
| | |
| | |
| | |



Project

Project ID

Created by

Created on
2022-09-16

Last update