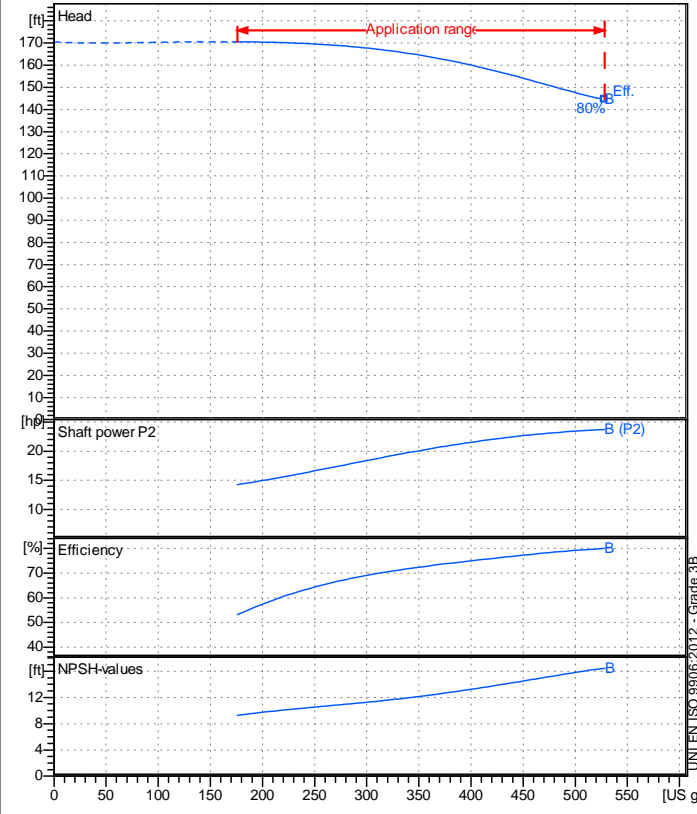


Receiver	From
Company name	
Respons. Department	
Person in charge	
Phone number	
Fax no	
E-mail address	



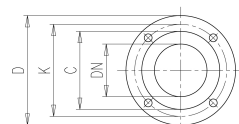
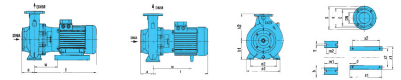
Operating data specification

Nominal flow	US g.p.m. 0
Nominal head	ft 0
Static head	ft 0
NPSH - v value of plant	ft 0
Inlet pressure	psi 1.42
Fluid	Water, pure
Operating temperature t A	°F 68
Density at t A	lb/ft³ 62.32
Kin. viscosity at t A	ft²/s 1.082E-5

Pump		
Pump name	6MGX2 65-160 B	
Size	50/32/200	
Design		
Speed rpm	3600	
No of stages	1	
Impeller type		
Flow	Nominal	US g.p.m.
	Max-	US g.p.m. 528
	Min-	US g.p.m. 176
Head	Nominal	ft
	Max-	ft 171
	Min-	ft 144
Head H(Q=0)	ft 171	
NPSH 3%	ft	
Max. working pressure	psi 73.8	
Shaft power	hp	
Efficiency	%	
Max absorbed power	hp 23.734	

Materials Pump	
Shaft	Duplex Stainless steel (1.4362)
Impeller	Precision cast Stainless steel AISI 316 (1.4408)
Pump body	Cast Stainless steel AISI 316 (1.4408)
Seal disc	Cast Stainless steel AISI 316 (1.4408)
Gasket	Natural fiber
Mechanical seal	Q1Q1VG (SiC/SiC/FPM)

Dimensions in inch	
a	3 ¹⁵ / ₁₆ z1 12 ⁹ / ₁₆
b	2 ⁹ / ₁₆ z2 12 ¹ / ₂
d	14*4
DNA	3 ¹ / ₈
DNM	2 ⁹ / ₁₆
h1	6 ⁵ / ₁₆
h2	7 ¹ / ₁₆
l	37 ¹³ / ₁₆
m1	4 ¹⁵ / ₁₆
m2	3 ³ / ₄
n1	11
n2	8 ³ / ₈
s	9 ⁹ / ₁₆
w	13 ¹¹ / ₁₆
x1	16 ¹ / ₈
x2	14 ⁹ / ₁₆



C	4 ¹³ / ₁₆	C	5 ⁷ / ₁₆
D	7 ⁹ / ₁₆	D	7 ⁷ / ₈
DN	2 ⁹ / ₁₆	DN	3 ¹ / ₈
K	5 ¹¹ / ₁₆	K	6 ⁹ / ₁₆
n°	3 ³ / ₁₆	n°	3 ³ / ₁₆
øn	3 ³ / ₄	øn	3 ³ / ₄

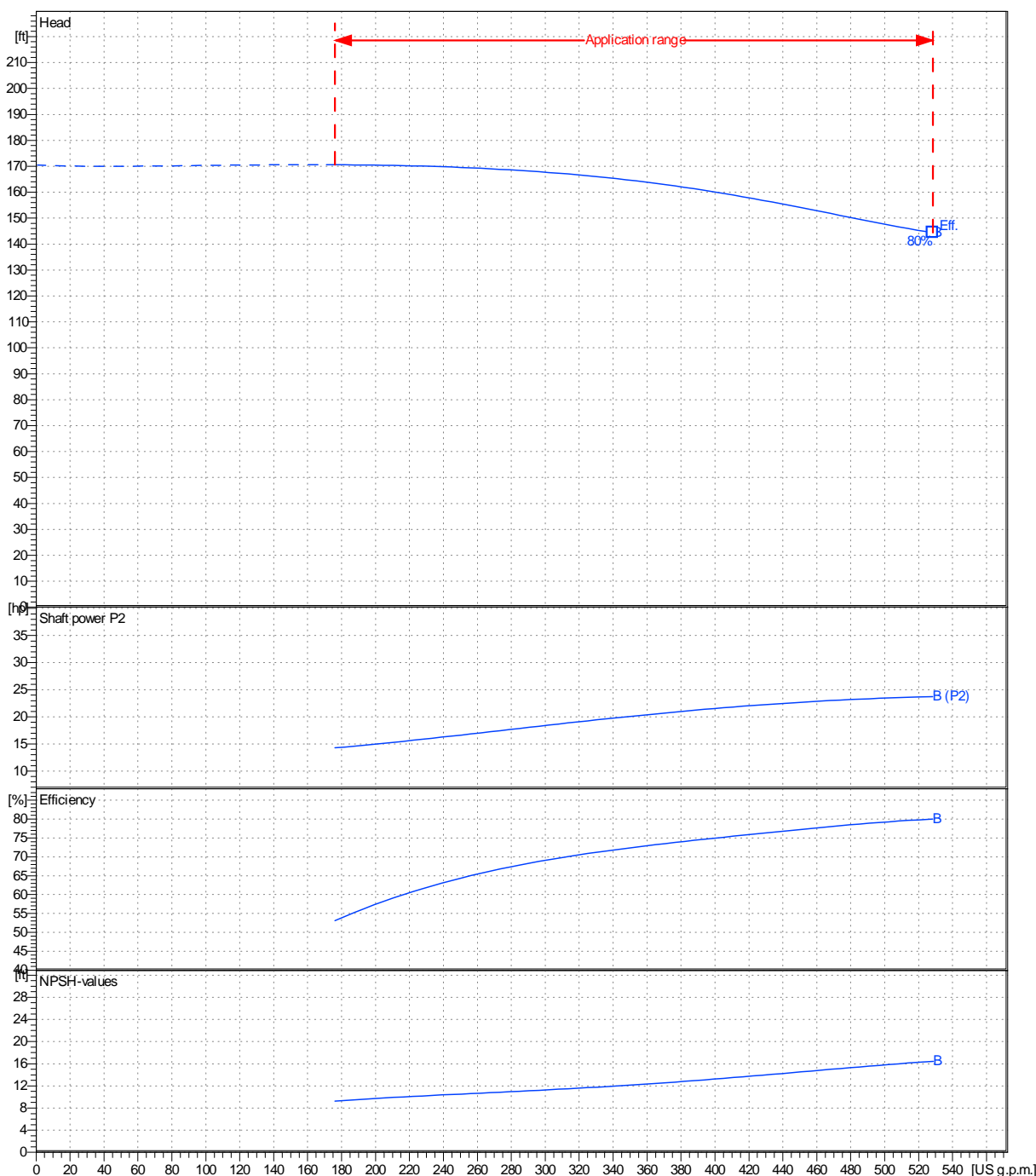
Motor	Frame size	160 L		
Manufacturer / Type	SAER	MEC160L-2P-18,5		
Rated power	hp	24.809	Efficiency 4/4	89.5 %
Electric current	A	30	Speed	rpm 3600
Electric voltage	V	460 V	3~	Hz 60
Starting mode	Unknown			
Degree of protection	IP 55	Insulation class	F	

Remarks:				
Project	Project ID	Created by	Created on	Last update
			2022-09-19	

	Receiver	From
Company name		
Respons. Department		
Person in charge		
Phone number		
Fax no		
E-mail address		
Operating area	Flow	Head
Operating data specification	0 US g.p.m.	0 ft
		Impeller type
		Impeller construction
		Sense of rotation
		Outlet width
Pump data	US g.p.m.	ft
		Speed
		rpm
		3600
		Frequency
		Hz
		60 Hz
	Flow	Head
	Min. Max. η Max.	H(Q=0) η Max.
	US g.p.m. US g.p.m. US g.p.m.	ft ft
	176 528 528	171 144
	Shaft power P2	
	P2(Q=0) Max. η Max.	
	hp hp hp	
	23.7 23.7	

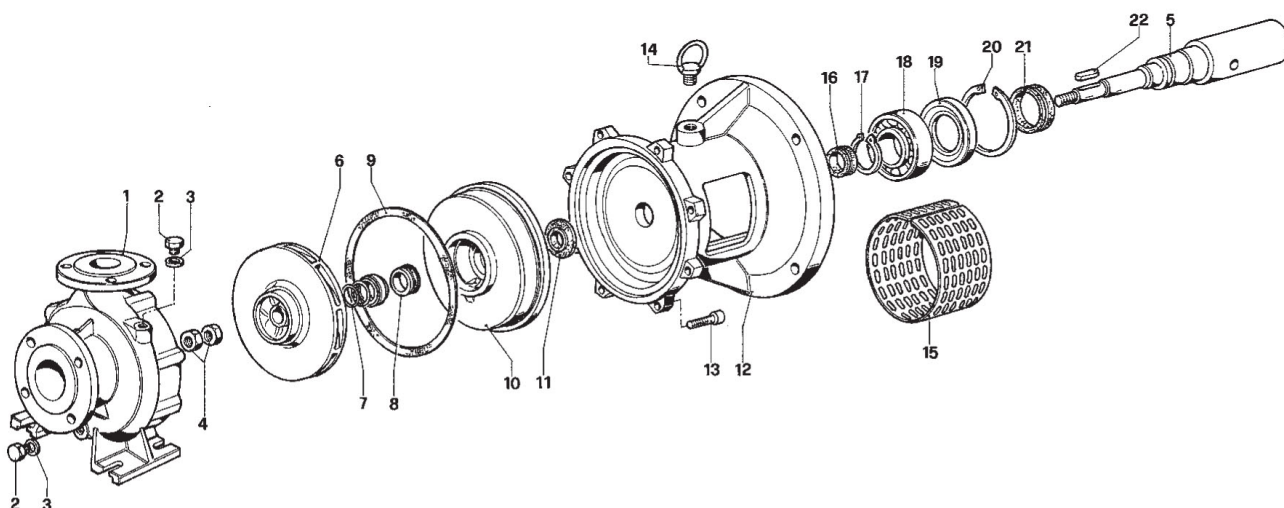
 Performance data based to: Water, pure [100%] ; 68°F; 62.3lb/ft³; 1.08E-5ft²/s

UNI EN ISO 9906:2012 - Grade 3B



Project	Project ID	Created by	Created on	Last update
			2022-09-19	

Company name
Respons. Department
Person in charge
Phone number
Fax no
E-mail address



Project

Project ID

Created by

Created on
2022-09-19

Last update