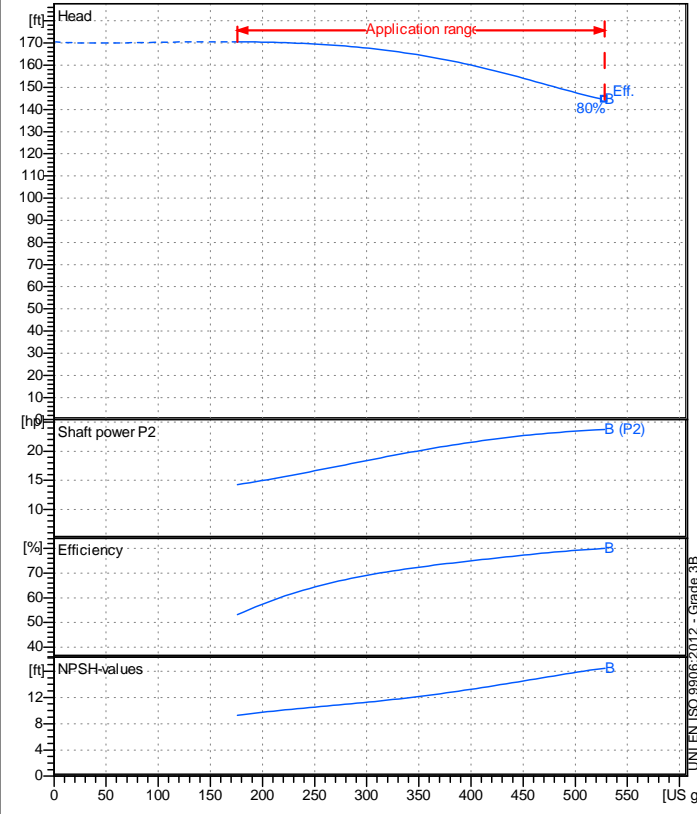


Company name
 Respons. Department
 Person in charge
 Phone number
 Fax no
 E-mail address

Receiver	From



Operating data specification

Nominal flow	US g.p.m. 0
Nominal head	ft 0
Static head	ft 0
NPSH - v value of plant	ft 0
Inlet pressure	psi 1.42
Fluid	Water, pure
Operating temperature t A	°F 68
Density at t A	lb/ft³ 62.32
Kin. viscosity at t A	ft²/s 1.082E-5

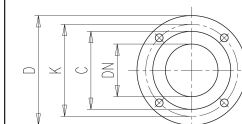
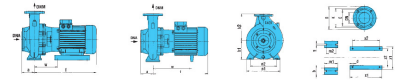
Pump		
Pump name	6MG2 65-160 B	
Size	50/32/200	
Design		
Speed rpm	3600	
No of stages	1	
Impeller type		
Flow	Nominal	US g.p.m.
	Max-	US g.p.m. 528
	Min-	US g.p.m. 176
Head	Nominal	ft
	Max-	ft 171
	Min-	ft 144
Head H(Q=0)	ft 171	
NPSH 3%	ft	
Max. working pressure	psi 73.8	
Shaft power	hp	
Efficiency	%	
Max absorbed power	hp 23.734	

Materials Pump

Shaft	Stainless steel AISI 431 (1.4057)		
Impeller	Cast iron EN-GJL-250		
Pump body	Cast iron EN-GJL-250		
Seal disc	Cast iron EN-GJL-250		
Gasket	Natural fiber		
Mechanical seal	BVEG (Grafito/Ossido Allumina/EPDM)		

Dimensions in inch

- a 3¹⁵/₁₆ z1 12⁹/₁₆
- b 2⁹/₁₆ z2 12¹/₂
- d 14*4
- DNA 3¹/₈
- DNM 2⁹/₁₆
- h1 6⁵/₁₆
- h2 7¹/₁₆
- l 37¹³/₁₆
- m1 4¹⁵/₁₆
- m2 3³/₄
- n1 11
- n2 8³/₈
- s 9⁹/₁₆
- w 13¹¹/₁₆
- x1 16¹/₈
- x2 14⁹/₁₆



- C 4¹³/₁₆ C 5⁷/₁₆
- D 7⁵/₁₆ D 7⁷/₁₆
- DN 2⁹/₁₆ DN 3¹/₈
- K 5¹¹/₁₆ K 6⁹/₁₆
- n° 3³/₁₆ n° 3⁷/₁₆
- øn 3³/₄ øn 3³/₄

Motor	Frame size	160 L		
Manufacturer / Type	SAER MEC160L-2P-18,5			
Rated power	hp	24.809	Efficiency 4/4	89.5 %
Electric current	A	30	Speed rpm	3600
Electric voltage	V	460 V	3~ Hz	60
Starting mode	Unknown			
Degree of protection	IP 55	Insulation class	F	

Remarks:				
Project	Project ID	Created by	Created on	Last update
			2022-09-16	

Receiver

From

 Company name
 Respons. Department
 Person in charge
 Phone number
 Fax no
 E-mail address

Operating area

Flow

Head

Impeller type

Operating data specification

0 US g.p.m.

0 ft

Impeller construction

Closed

Pump data

US g.p.m.

ft

Sense of rotation

Clockwise from the drive end

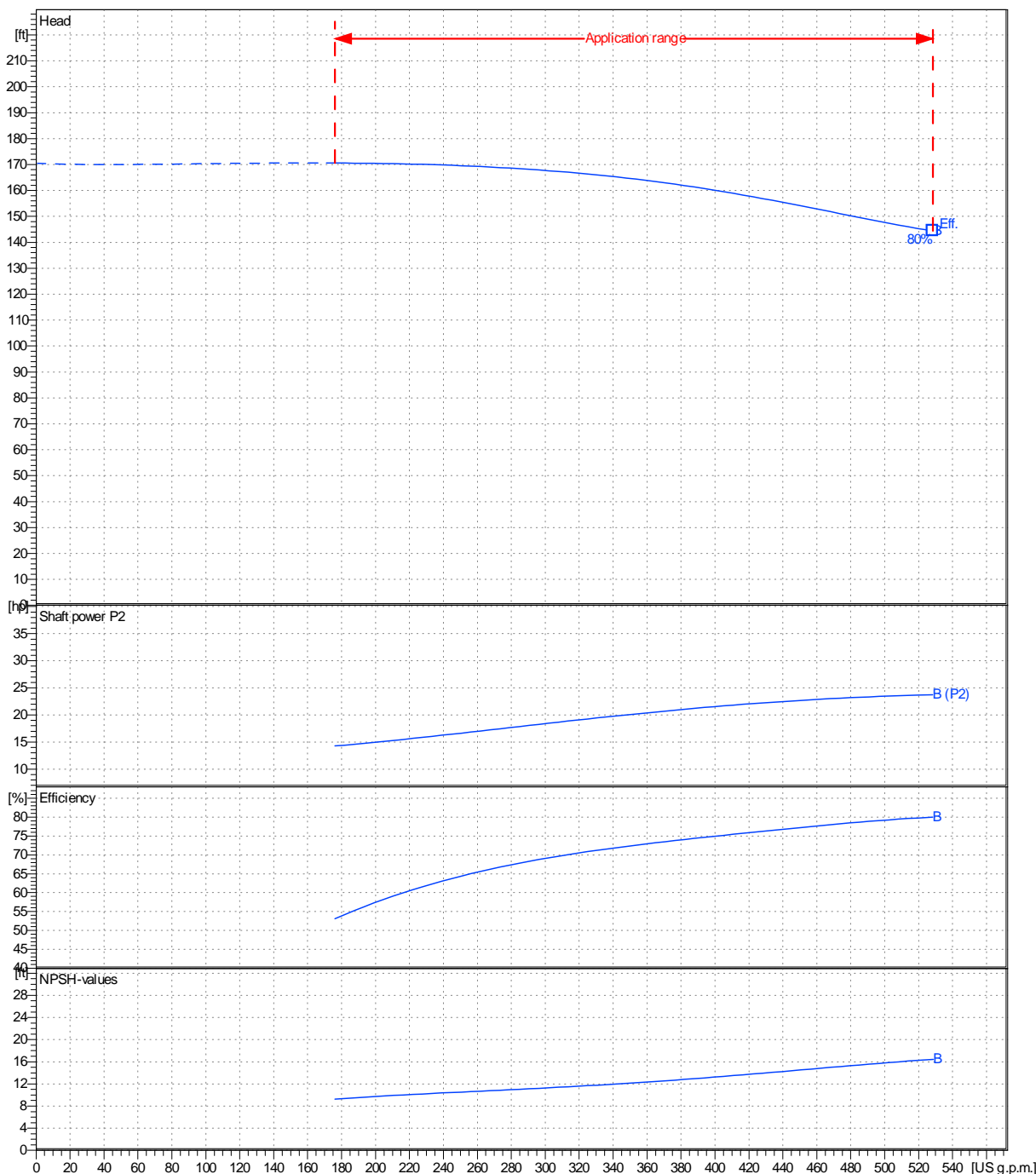
Outlet width

DN 65

	Flow			Head		Shaft power P2			Speed	rpm	3600
	Min.	Max.	η Max.	H(Q=0)	η Max.	P2(Q=0)	Max.	η Max.	Frequency	Hz	60 Hz
	US g.p.m.	US g.p.m.	US g.p.m.	ft	ft	hp	hp	hp			
	176	528	528	171	144		23.7	23.7			

 Performance data based to: Water, pure [100%] ; 68°F; 62.3lb/ft³; 1.08E-5ft²/s

UNI EN ISO 9906:2012 - Grade 3B



Project

Project ID

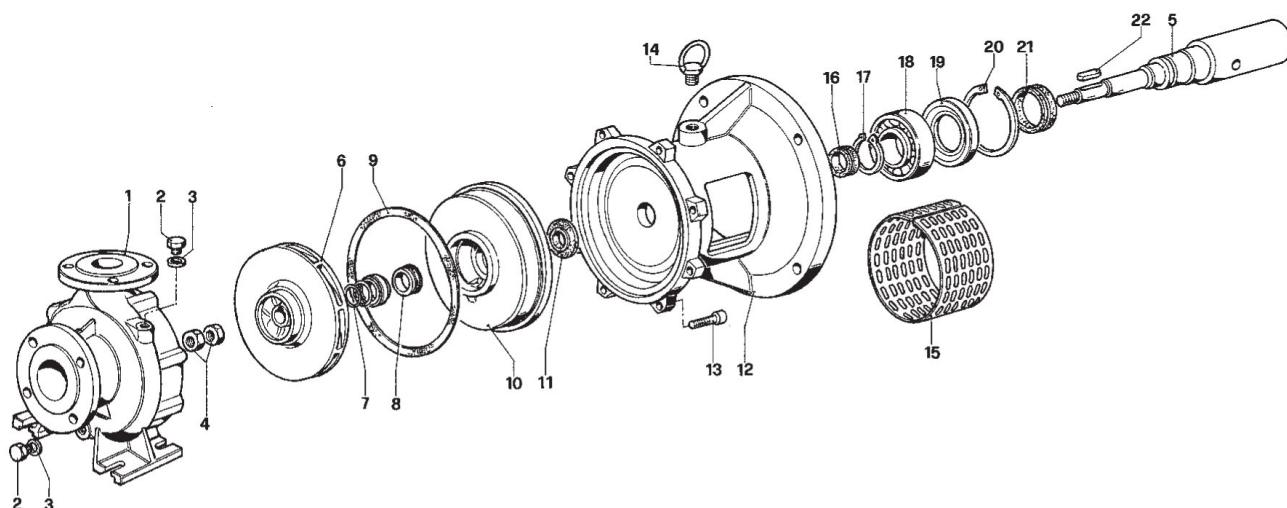
Created by

Created on

2022-09-16

Last update

Company name
Respons. Department
Person in charge
Phone number
Fax no
E-mail address



Project

Project ID

Created by

Created on
2022-09-16

Last update