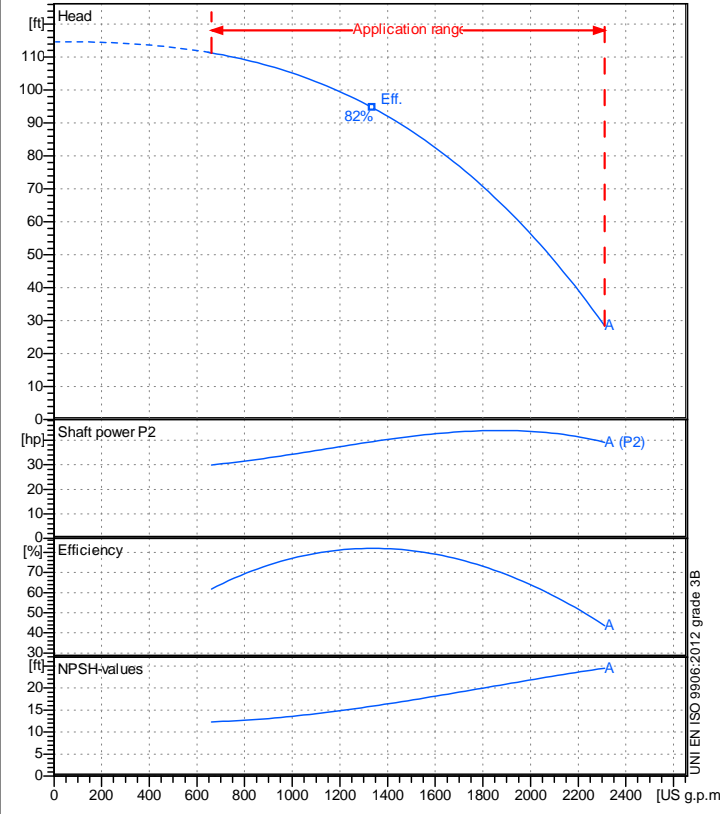


Company name  
 Respons. Department  
 Person in charge  
 Phone number  
 Fax no  
 E-mail address

Receiver	From



### Operating data specification

Nominal flow	US g.p.m. 0
Nominal head	ft 0
Static head	ft 0
NPSH - v value of plant	ft 0
Inlet pressure	psi 1.42
Fluid	Water, pure
Operating temperature t A	°F 68
Density at t A	lb/ft³ 62.32
Kin. viscosity at t A	ft²/s 1.082E-5

Pump		6MG4-4P 125-250A	
Pump name	6MG4-4P 125-250A		
Size	100/80/200		
Design			
Speed rpm	1800	No of stages	1
Impeller type			
Flow	Nominal	US g.p.m. 0	
	Max-	US g.p.m. 2310	
	Min-	US g.p.m. 660	
Head	Nominal	ft 0	
	Max-	ft 111	
	Min-	ft 28.4	
Head H(Q=0)	ft 115		
NPSH 3%	ft 0		
Max. working pressure	psi 49.6		
Shaft power	hp 43.935		
Efficiency	%		
Max absorbed power	hp 43.935		

### Materials Pump

Shaft	Stainless steel AISI 431 (1.4057)		
Impeller	Cast iron EN-GJL-250		
Pump body	Cast iron EN-GJL-250		
Seal disc	Cast iron EN-GJL-250		
Gasket	Natural fiber		
Mechanical seal	BVEG (Grafito/Ossido Allumina/EPDM)		

### Dimensions in inch

a	5 1/2	z1	15 3/8
b	3 3/8	z2	12 1/2
d	1 11/16		
DNA	5 7/8		
DNM	4 15/16		
f	29 11/16		
h1	9 3/16		
h2	14		
m1	6 5/16		
m2	4 3/4		
n1	15 3/4		
n2	12 3/8		
s	1 1/16		
w	8 7/8		
x1	16 1/8		
x2	12		

The drawings include:  
 - A front view of the pump head showing dimensions a, b, d, DNA, DN, f, h1, h2, m1, m2, n1, n2, s, w, x1, x2.  
 - A side view showing the motor and pump assembly with dimensions a, w, f.  
 - A detail view of the shaft and impeller connection with dimensions D, K, C, DN, Øn.

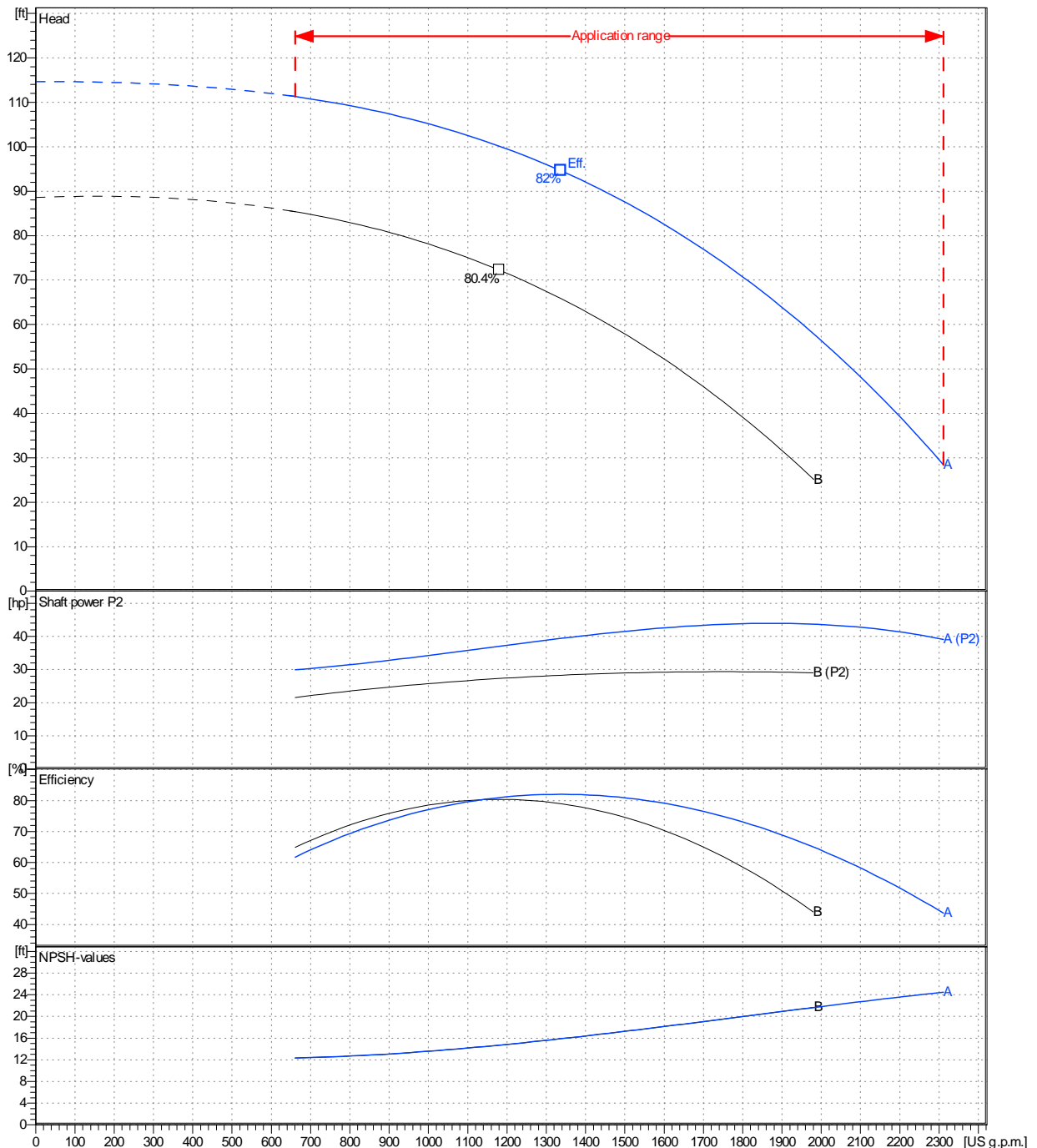
Motor		Frame size	200 L	
Manufacturer / Type	SAER	MEC200L-4P-30		
Rated power	hp	40.231	Efficiency 4/4	89 %
Electric current	A	46 A	Speed rpm	1800
Electric voltage	V	460V	3~	Hz 60
Starting mode	Unknown			
Degree of protection	IP 55	Insulation class	F	

Remarks:		Project ID	Created by	Created on	Last update
				2022-09-26	

Receiver	From
Company name Respons. Department Person in charge Phone number Fax no E-mail address	

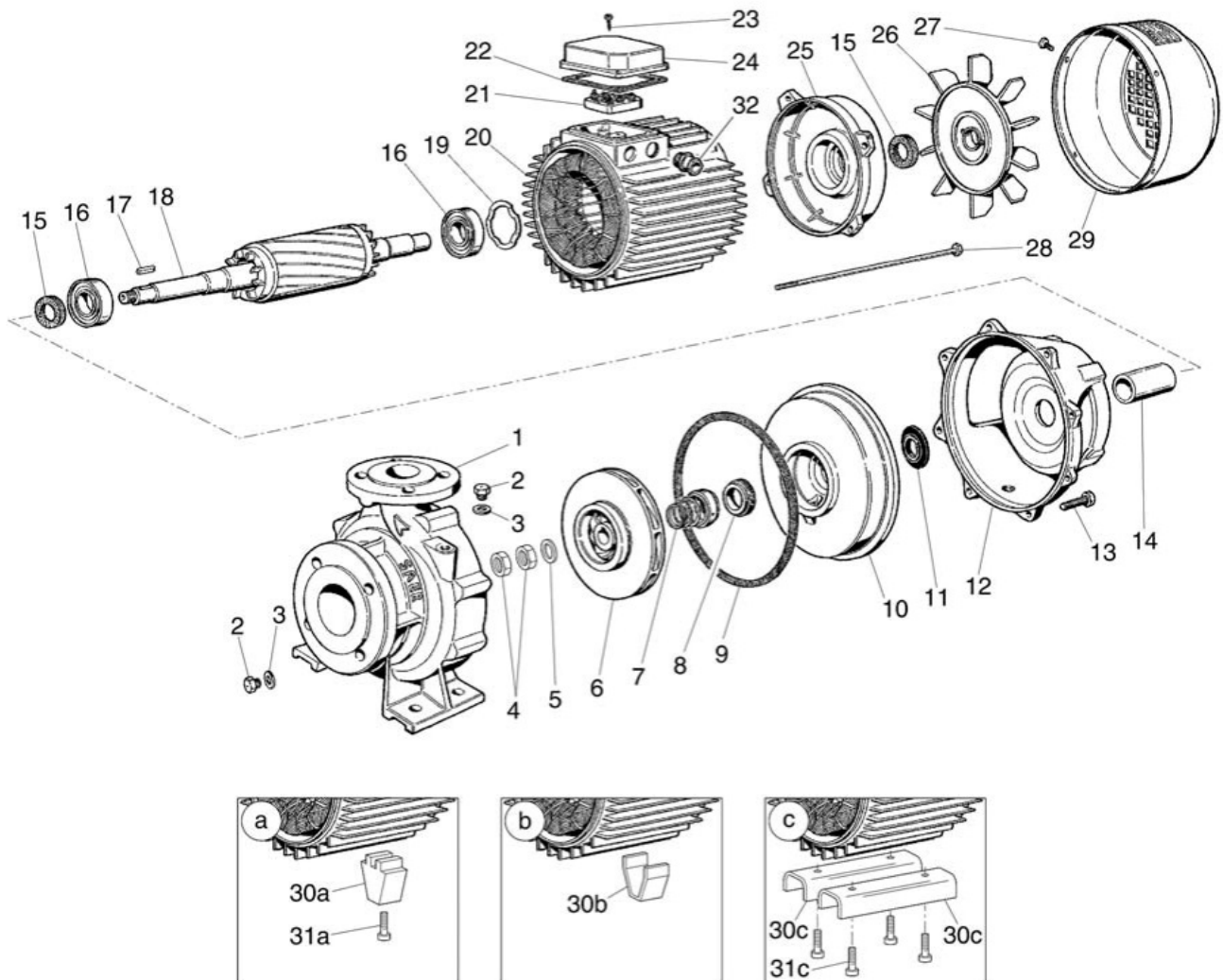
Operating area	Flow	Head	Impeller type
Operating data specification	0 US g.p.m.	0 ft	Impeller construction: Closed
Pump data	US g.p.m.	ft	Sense of rotation: Clockwise f from the drive end
			Outlet width: DN 125
	Flow	Head	Shaft power P2
	Min. Max. $\eta$ Max.	H(Q=0) $\eta$ Max.	P2(Q=0) Max. $\eta$ Max.
	US g.p.m. US g.p.m. US g.p.m.	ft ft	hp hp hp
	660 2310 1340	115 94.6	43.9 39.4
			Speed rpm: 1800
			Frequency Hz: 60 Hz

Performance data based to: Water, pure [100%]; 68°F; 62.3lb/ft³; 1.08E-5ft²/s UNI EN ISO 9906:2012 - Grade 3B



Project	Project ID	Created by	Created on	Last update
			2022-09-26	

Company name  
Respons. Department  
Person in charge  
Phone number  
Fax no  
E-mail address

Project

Project ID

Created by

Created on  
**2022-09-26**

Last update