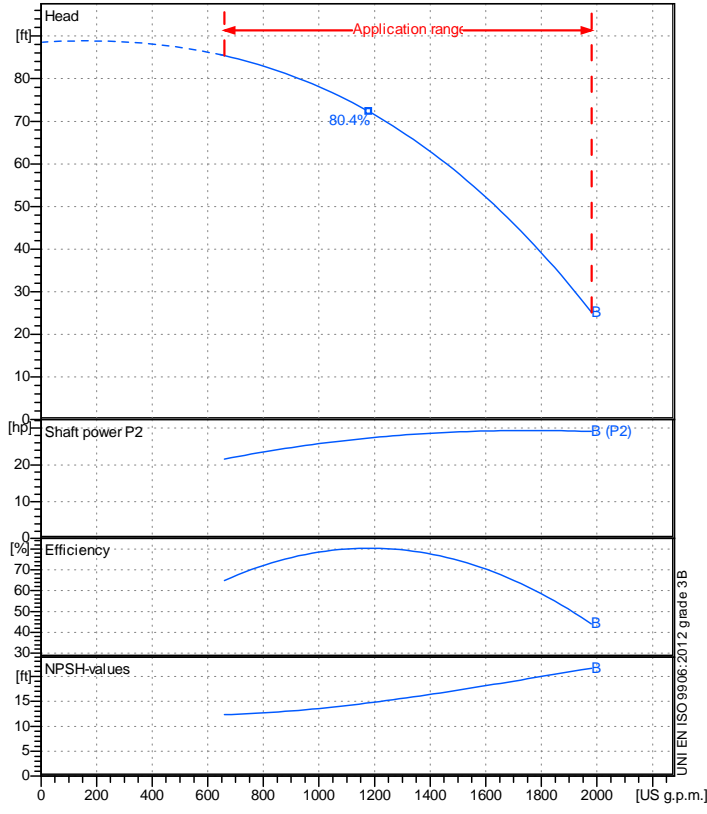


Company name	
Respons. Department	
Person in charge	
Phone number	
Fax no	
E-mail address	

Receiver	From



Operating data specification	
Nominal flow	US g.p.m. 0
Nominal head	ft 0
Static head	ft 0
NPSH - v value of plant	ft 0
Inlet pressure	psi 1.42
Fluid	Water, pure
Operating temperature t A	°F 68
Density at t A	lb/ft³ 62.32
Kin. viscosity at t A	ft²/s 1.082E-5

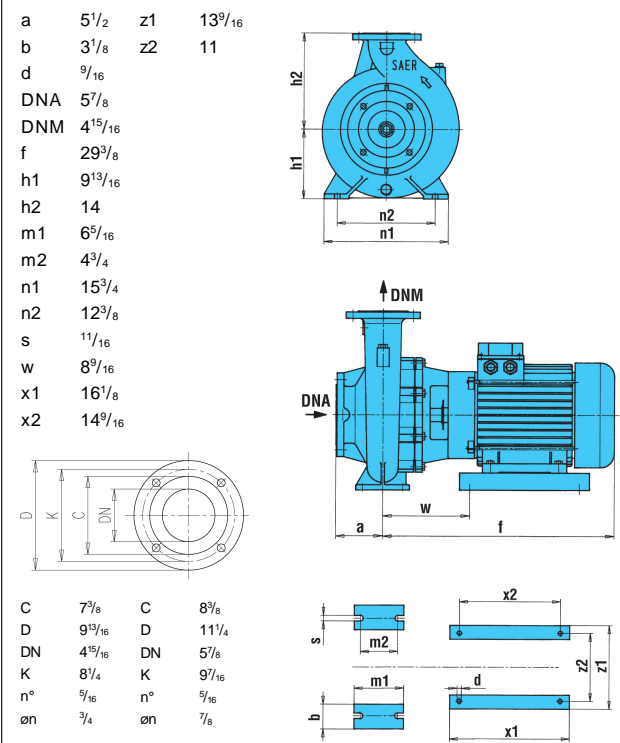
Pump			
Pump name	6MG4-4P 125-250B		
Size	100/80/200		
Design			
Speed rpm	1800	No of stages	1
Impeller type			
Flow	Nominal	US g.p.m.	
	Max-	US g.p.m.	1980
	Min-	US g.p.m.	660
Head	Nominal	ft	
	Max-	ft	85.4
	Min-	ft	25.1
Head H(Q=0)	ft	88.6	
NPSH 3%	ft		
Max. working pressure	psi	38.3	
Shaft power	hp		
Efficiency	%		
Max absorbed power	hp	29.341	

Materials Pump

Shaft	Stainless steel AISI 431 (1.4057)		
Impeller	Cast iron EN-GJL-250		
Pump body	Cast iron EN-GJL-250		
Seal disc	Cast iron EN-GJL-250		
Gasket	Natural fiber		
Mechanical seal	BVEG (Grafite/Ossido Allumina/EPDM)		

Motor		Frame size	180 L	
Manufacturer / Type	SAER	MEC180L-4P-22		
Rated power	hp	29.502	Efficiency 4/4	87 %
Electric current	A	36.5 A	Speed	rpm 1800
Electric voltage	V	460V	3~	Hz 60
Starting mode	Unknown			
Degree of protection	IP 55	Insulation class	F	

Dimensions in inch

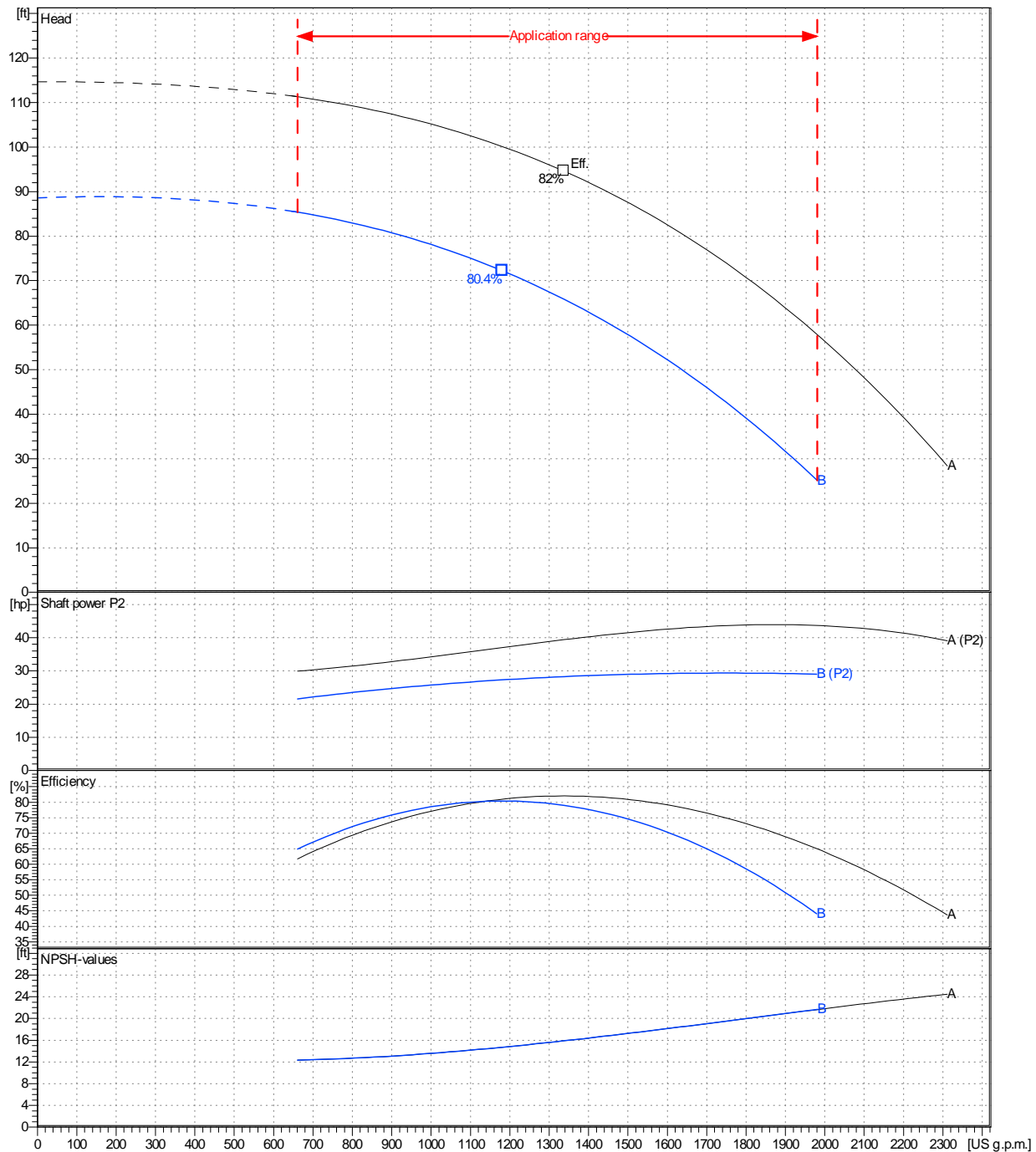


Remarks:		Project ID	Created by	Created on	Last update
Project				2022-09-26	

Receiver	From
Company name	
Respons. Department	
Person in charge	
Phone number	
Fax no	
E-mail address	

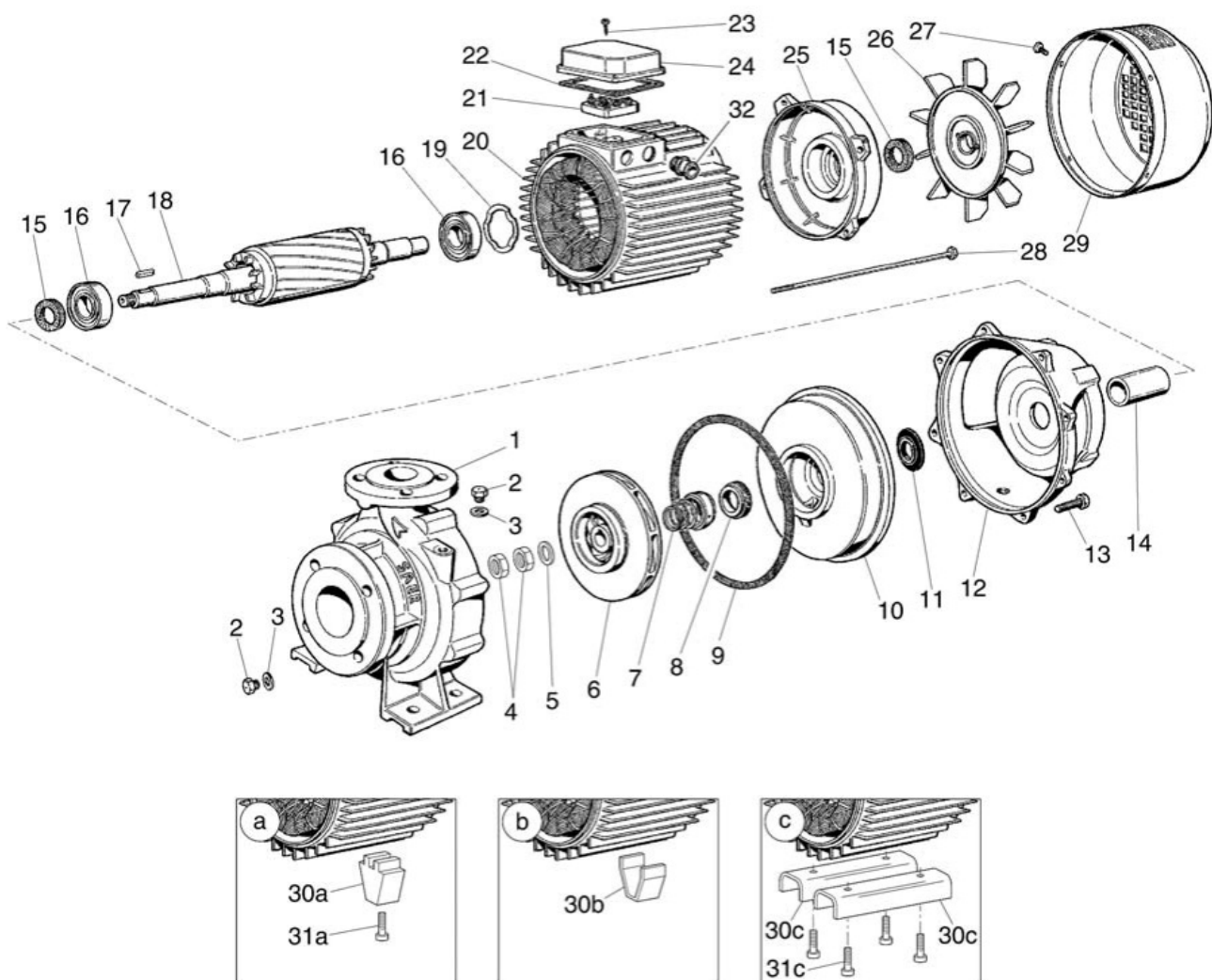
Operating area	Flow	Head	Impeller type
Operating data specification	0 US g.p.m.	0 ft	Impeller construction
Pump data	US g.p.m.	ft	Sense of rotation
			Clockwise f from the driv e end
			Outlet width
			DN 125
	Flow	Head	Shaft power P2
	Min. Max. η Max.	H(Q=0) η Max.	P2(Q=0) Max. η Max.
	US g.p.m. US g.p.m. US g.p.m.	ft ft	hp hp hp
	660 1980 1180	88.6 72.2	29.3 27.3
			Speed rpm 1800
			Frequency Hz 60 Hz

Performance data based to: Water, pure [100%] ; 68°F; 62.3lb/ft³; 1.08E-5ft²/s UNI EN ISO 9906:2012 - Grade 3B



Project	Project ID	Created by	Created on 2022-09-26	Last update
---------	------------	------------	---------------------------------	-------------

Company name
Respons. Department
Person in charge
Phone number
Fax no
E-mail address



Project

Project ID

Created by

Created on
2022-09-26

Last update