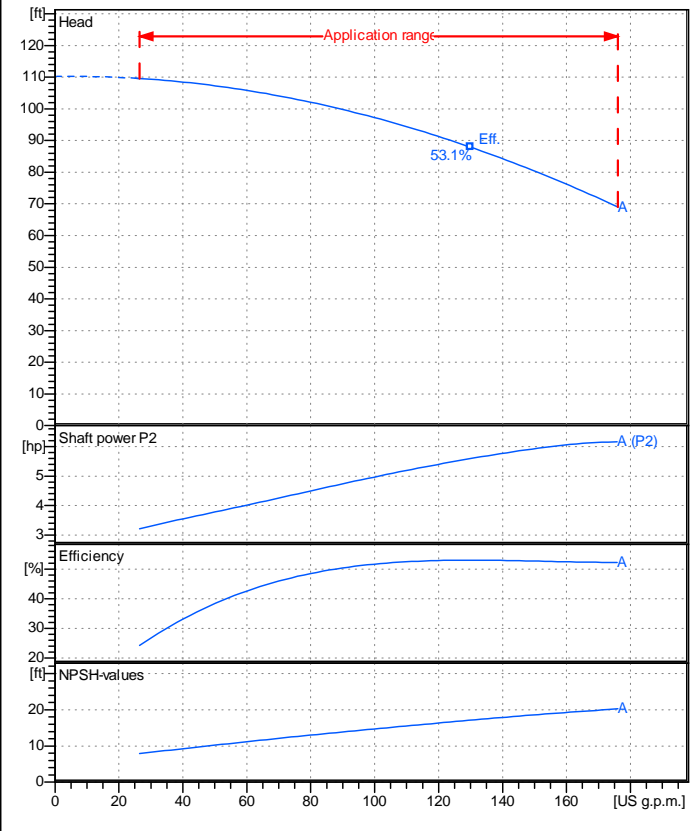


Company name  
 Respons. Department  
 Person in charge  
 Phone number  
 Fax no  
 E-mail address

Receiver	From



### Operating data specification

Nominal flow	US g.p.m. 0
Nominal head	ft 0
Static head	ft 0
NPSH - v value of plant	ft 0
Inlet pressure	psi 1.42
Fluid	Water, pure
Operating temperature t A	°F 68
Density at t A	lb/ft³ 62.32
Kin. viscosity at t A	ft²/s 1.082E-5

Pump		6MG4-4P 32-250A	
Pump name	6MG4-4P 32-250A		
Size	50/32/250		
Design			
Speed rpm	1800	No of stages	1
Impeller type			
Flow	Nominal	US g.p.m.	
	Max-	US g.p.m. 176	
	Min-	US g.p.m. 26.4	
Head	Nominal	ft	
	Max-	ft 110	
	Min-	ft 69	
Head H(Q=0)	ft 110		
NPSH 3%	ft		
Max. working pressure	psi 47.7		
Shaft power	hp		
Efficiency	%		
Max absorbed power	hp 6.1563		

### Materials Pump

Shaft	Stainless steel AISI 431 (1.4057)		
Impeller	Cast iron EN-GJL-250		
Pump body	Cast iron EN-GJL-250		
Seal disc	Cast iron EN-GJL-250		
Gasket	Natural fiber		
Mechanical seal	BVEG (Grafite/Ossido Allumina/EPDM)		

### Dimensions in inch

a	3 <sup>15</sup> / <sub>16</sub>
b	2 <sup>9</sup> / <sub>16</sub>
DNA	1 <sup>5</sup> / <sub>16</sub>
DNM	1 <sup>1</sup> / <sub>4</sub>
h1	7 <sup>1</sup> / <sub>16</sub>
h2	8 <sup>7</sup> / <sub>8</sub>
m1	4 <sup>15</sup> / <sub>16</sub>
m2	3 <sup>3</sup> / <sub>4</sub>
n1	12 <sup>5</sup> / <sub>8</sub>
n2	9 <sup>13</sup> / <sub>16</sub>
s	9 <sup>9</sup> / <sub>16</sub>
w	12 <sup>9</sup> / <sub>16</sub>

C	3 <sup>3</sup> / <sub>16</sub>	C	4
D	5 <sup>1</sup> / <sub>2</sub>	D	6 <sup>1</sup> / <sub>2</sub>
DN	1 <sup>1</sup> / <sub>4</sub>	DN	1 <sup>15</sup> / <sub>16</sub>
K	3 <sup>15</sup> / <sub>16</sub>	K	4 <sup>15</sup> / <sub>16</sub>
n°	3 <sup>3</sup> / <sub>16</sub>	n°	3 <sup>3</sup> / <sub>16</sub>
øn	3 <sup>3</sup> / <sub>4</sub>	øn	3 <sup>3</sup> / <sub>4</sub>

Motor		Frame size	132 S	
Manufacturer / Type		SAER	MEC132S-4P-5.5	
Rated power	hp	7.3756	Efficiency 4/4	84 %
Electric current	A	21.6/10.8 A	Speed	rpm 1800
Electric voltage	V	230/460V	3~	Hz 60
Starting mode	Unknown			
Degree of protection	IP 55	Insulation class	F	

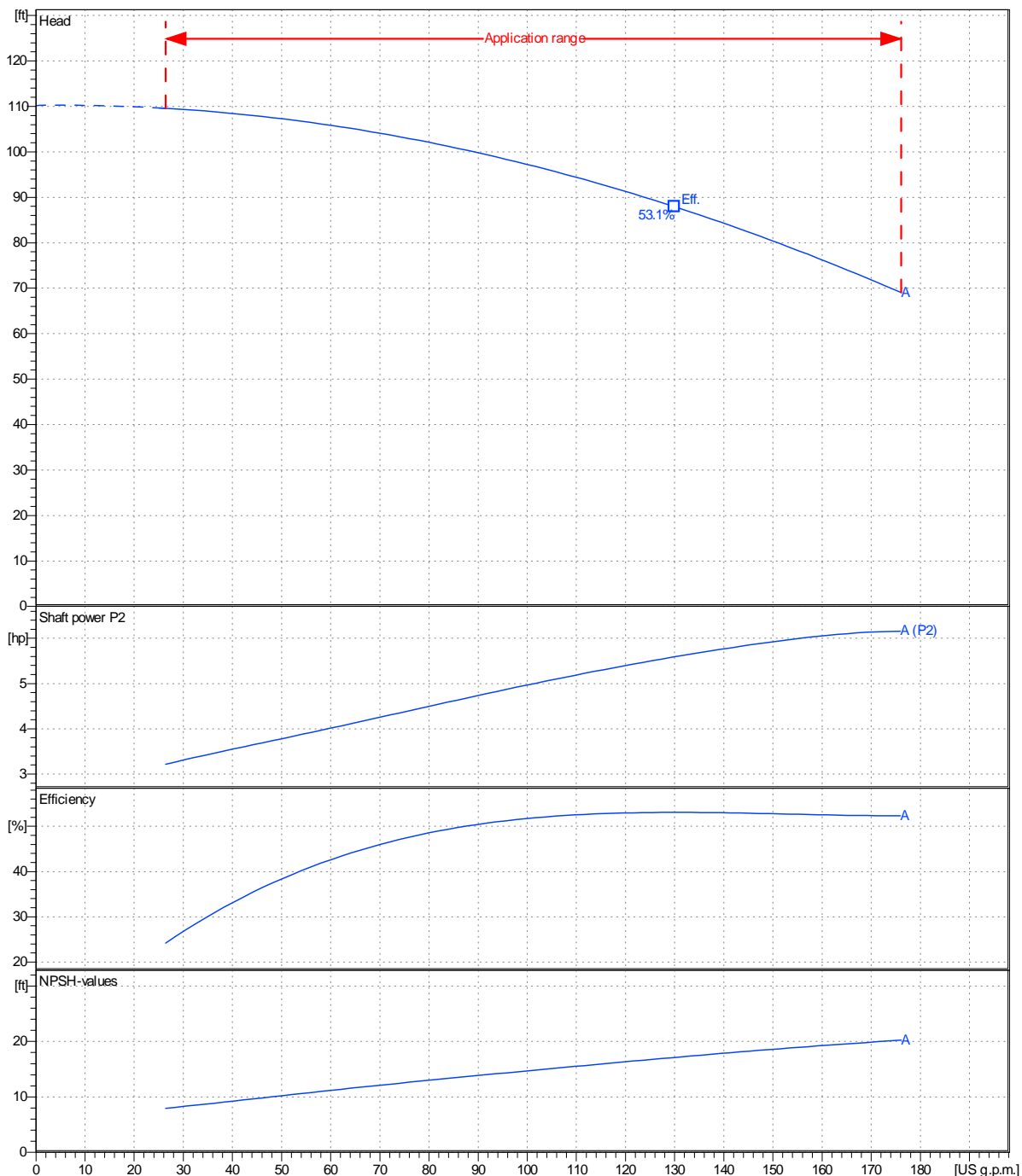
Remarks:				
Project	Project ID	Created by	Created on	Last update
			9/26/2022	

	<b>Receiver</b>	<b>From</b>
Company name		
Respons. Department		
Person in charge		
Phone number		
Fax no		
E-mail address		

Operating area	Flow	Head	Impeller type
Operating data specification	0 US g.p.m.	0 ft	Impeller construction Closed
Pump data	US g.p.m.	ft	Sense of rotation Clockwise from the drive end
			Outlet width DN 32
	Flow	Head	Speed rpm 1800
	Min. Max. $\eta$ Max.	H(Q=0) $\eta$ Max.	Frequency Hz 60 Hz
	US g.p.m. US g.p.m. US g.p.m.	ft ft	
	26.4 176 130	110 87.9	
		Shaft power P2	
		P2(Q=0) Max. $\eta$ Max.	
		hp hp hp	
		6.16 5.59	

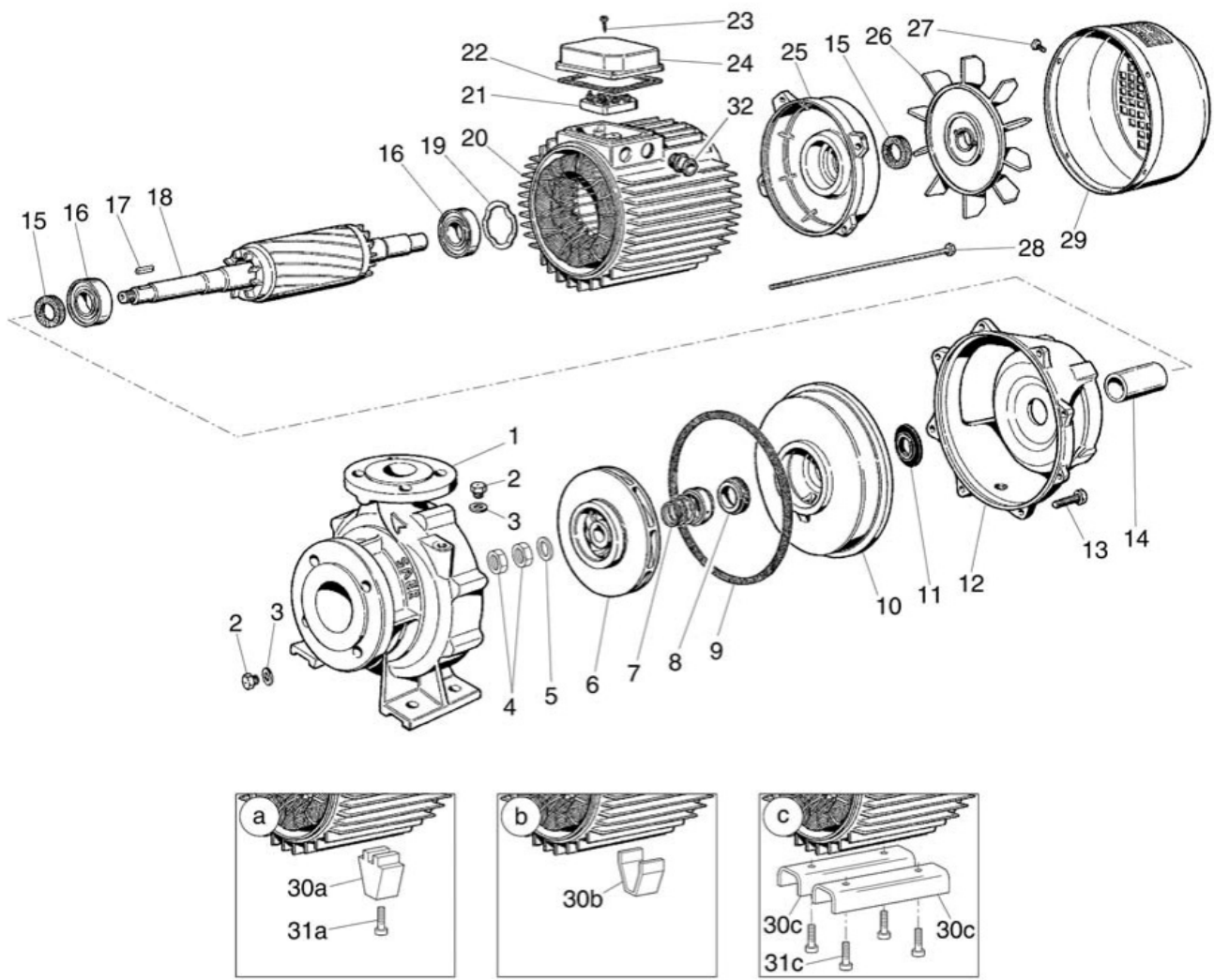
Performance data based to: Water, pure [100%] ; 68°F; 62.3lb/ft³; 1.08E-5ft²/s

UNI EN ISO 9906:2012 - Grade 3B



Project	Project ID	Created by	Created on <b>9/26/2022</b>	Last update
---------	------------	------------	--------------------------------	-------------

Company name  
Respons. Department  
Person in charge  
Phone number  
Fax no  
E-mail address

Project

Project ID

Created by

Created on  
**9/26/2022**

Last update