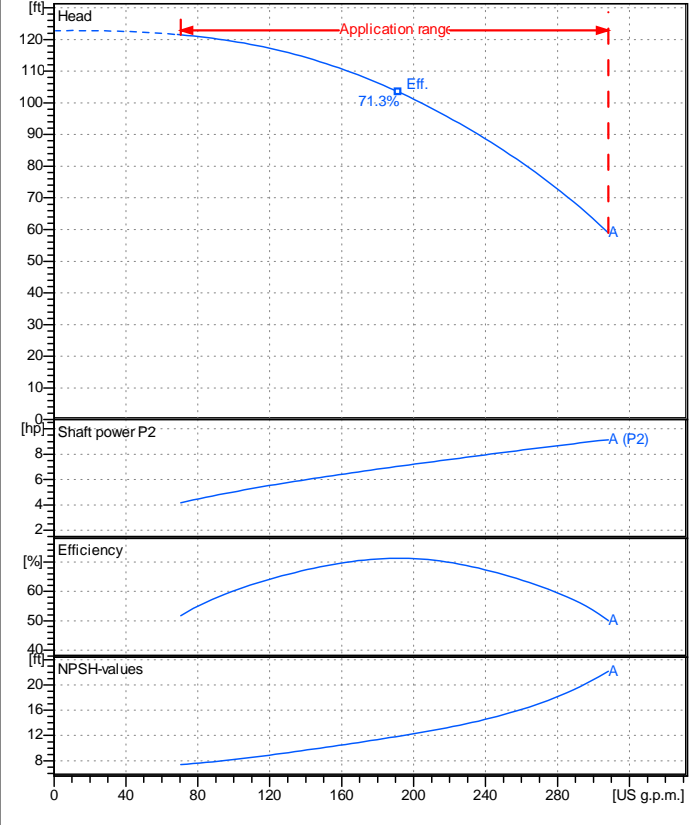


Company name  
Respons. Department  
Person in charge  
Phone number  
Fax no  
E-mail address

| Receiver | From |
|----------|------|
|          |      |
|          |      |
|          |      |
|          |      |
|          |      |

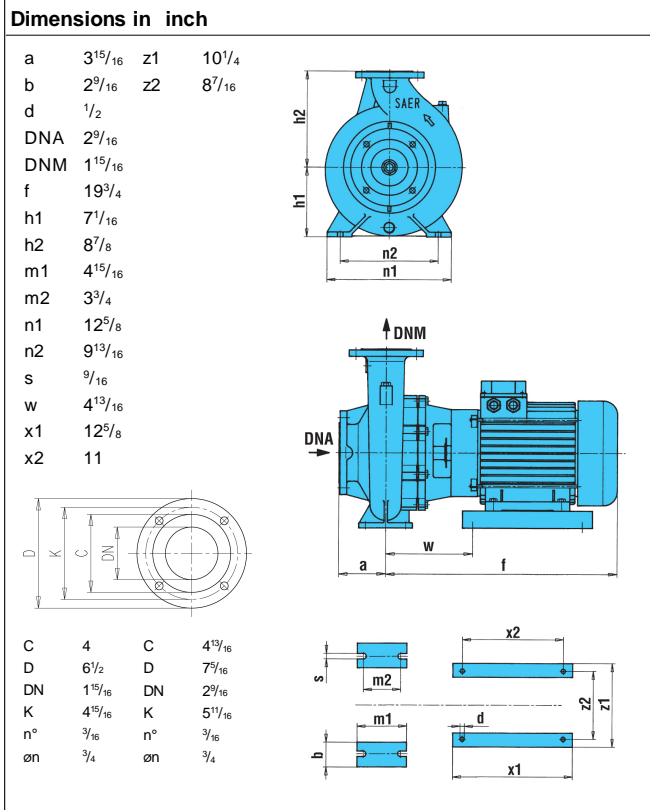


### Operating data specification

|                           |                |
|---------------------------|----------------|
| Nominal flow              | US g.p.m. 0    |
| Nominal head              | ft 0           |
| Static head               | ft 0           |
| NPSH - v value of plant   | ft 0           |
| Inlet pressure            | psi 1.42       |
| Fluid                     | Water, pure    |
| Operating temperature t A | °F 68          |
| Density at t A            | lb/ft³ 62.32   |
| Kin. viscosity at t A     | ft²/s 1.082E-5 |

| Pump                  |                  | 6MG4-4P 50-250NA |   |
|-----------------------|------------------|------------------|---|
| Pump name             | 6MG4-4P 50-250NA |                  |   |
| Size                  | 65/50/250        |                  |   |
| Design                |                  |                  |   |
| Speed rpm             | 1800             | No of stages     | 1 |
| Impeller type         |                  |                  |   |
| Flow                  | Nominal          | US g.p.m.        |   |
|                       | Max-             | US g.p.m. 308    |   |
|                       | Min-             | US g.p.m. 70.4   |   |
| Head                  | Nominal          | ft               |   |
|                       | Max-             | ft 121           |   |
|                       | Min-             | ft 58.9          |   |
| Head H(Q=0)           | ft 123           |                  |   |
| NPSH 3%               | ft               |                  |   |
| Max. working pressure | psi 53.2         |                  |   |
| Shaft power           | hp               |                  |   |
| Efficiency            | %                |                  |   |
| Max absorbed power    | hp 9.1488        |                  |   |

| Materials Pump       |                                     |                  |       |
|----------------------|-------------------------------------|------------------|-------|
| Shaft                | Stainless steel AISI 431 (1.4057)   |                  |       |
| Impeller             | Cast iron EN-GJL-250                |                  |       |
| Pump body            | Cast iron EN-GJL-250                |                  |       |
| Seal disc            | Cast iron EN-GJL-250                |                  |       |
| Gasket               | Natural fiber                       |                  |       |
| Mechanical seal      | BVEG (Grafito/Ossido Allumina/EPDM) |                  |       |
|                      |                                     |                  |       |
|                      |                                     |                  |       |
|                      |                                     |                  |       |
|                      |                                     |                  |       |
|                      |                                     |                  |       |
|                      |                                     |                  |       |
|                      |                                     |                  |       |
|                      |                                     |                  |       |
|                      |                                     |                  |       |
|                      |                                     |                  |       |
|                      |                                     |                  |       |
|                      |                                     |                  |       |
|                      |                                     |                  |       |
|                      |                                     |                  |       |
|                      |                                     |                  |       |
|                      |                                     |                  |       |
| Motor                |                                     |                  |       |
| Frame size           | 132L                                |                  |       |
| Manufacturer / Type  | SAER MEC132L-4P-7.5                 |                  |       |
| Rated power          | hp 10.058                           | Efficiency 4/4   | 86 %  |
| Electric current     | A 24/12 A                           | Speed rpm        | 1800  |
| Electric voltage     | V 230/460V                          | 3~               | Hz 60 |
| Starting mode        | Unknown                             |                  |       |
| Degree of protection | IP 55                               | Insulation class | F     |

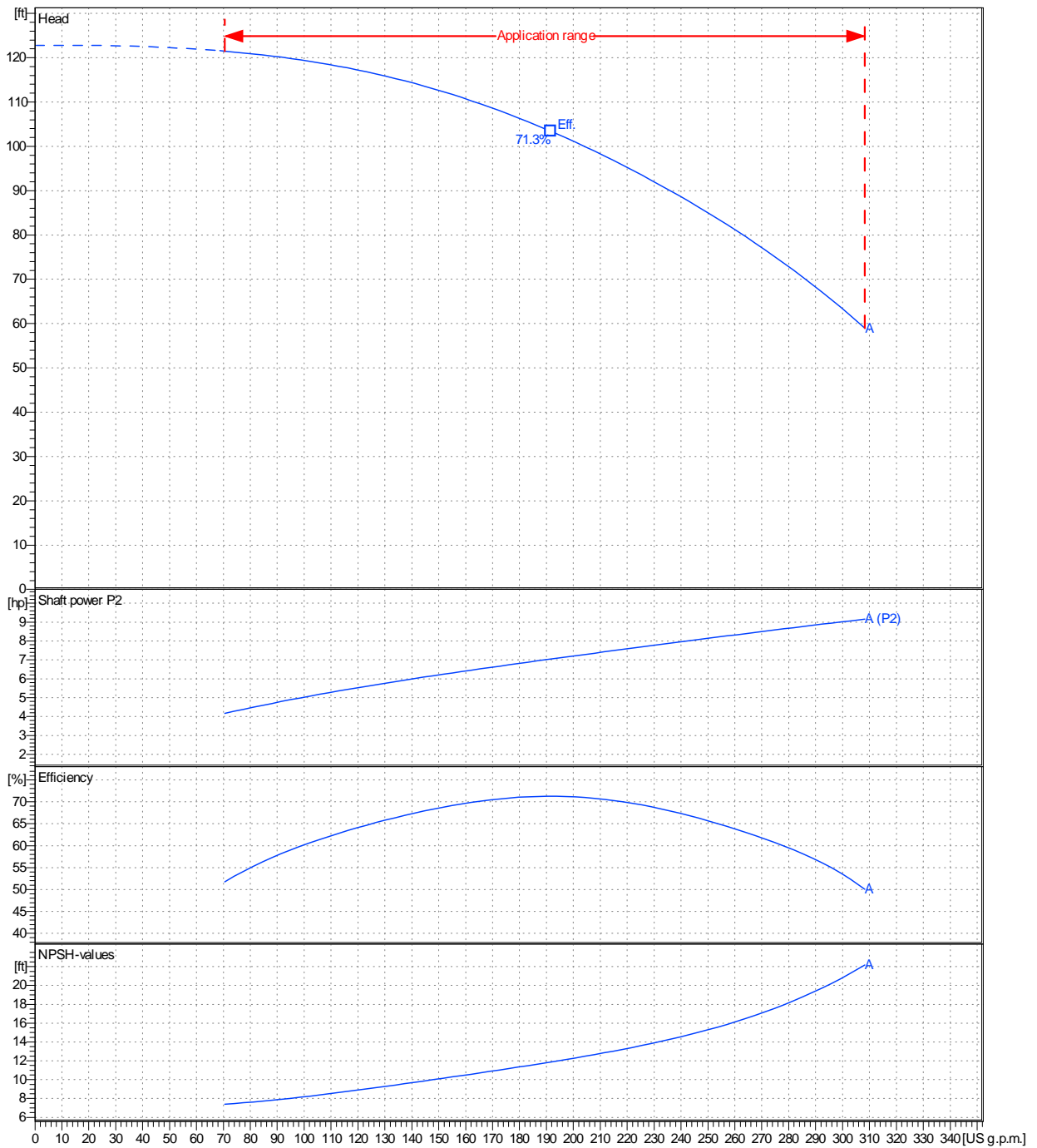


|          |            |            |                                |
|----------|------------|------------|--------------------------------|
| Remarks: |            |            |                                |
| Project  | Project ID | Created by | Created on<br><b>9/26/2022</b> |
|          |            |            | Last update                    |

|                     |             |
|---------------------|-------------|
| <b>Receiver</b>     | <b>From</b> |
| Company name        |             |
| Respons. Department |             |
| Person in charge    |             |
| Phone number        |             |
| Fax no              |             |
| E-mail address      |             |

|                              |                               |                          |   |
|------------------------------|-------------------------------|--------------------------|---|
| Operating area               | Flow                          | Head                     | Impeller type                                     |
| Operating data specification | 0 US g.p.m.                   | 0 ft                     | Impeller construction<br>Closed                   |
| Pump data                    | US g.p.m.                     | ft                       | Sense of rotation<br>Clockwise from the drive end |
|                              |                               |                          | Outlet width<br>DN 50                             |
|                              | Flow                          | Head                     | Speed rpm 1800                                    |
|                              | Min. Max. $\eta$ Max.         | H(Q=0) $\eta$ Max.       | Frequency Hz 60 Hz                                |
|                              | US g.p.m. US g.p.m. US g.p.m. | ft ft                    |   |
|                              | 70.4 308 192                  | 123 103                  |   |
|                              |                               | Shaft power P2           |   |
|                              |                               | P2(Q=0) Max. $\eta$ Max. |   |
|                              |                               | hp hp hp                 |   |
|                              |                               | 9.15 7.04                |   |

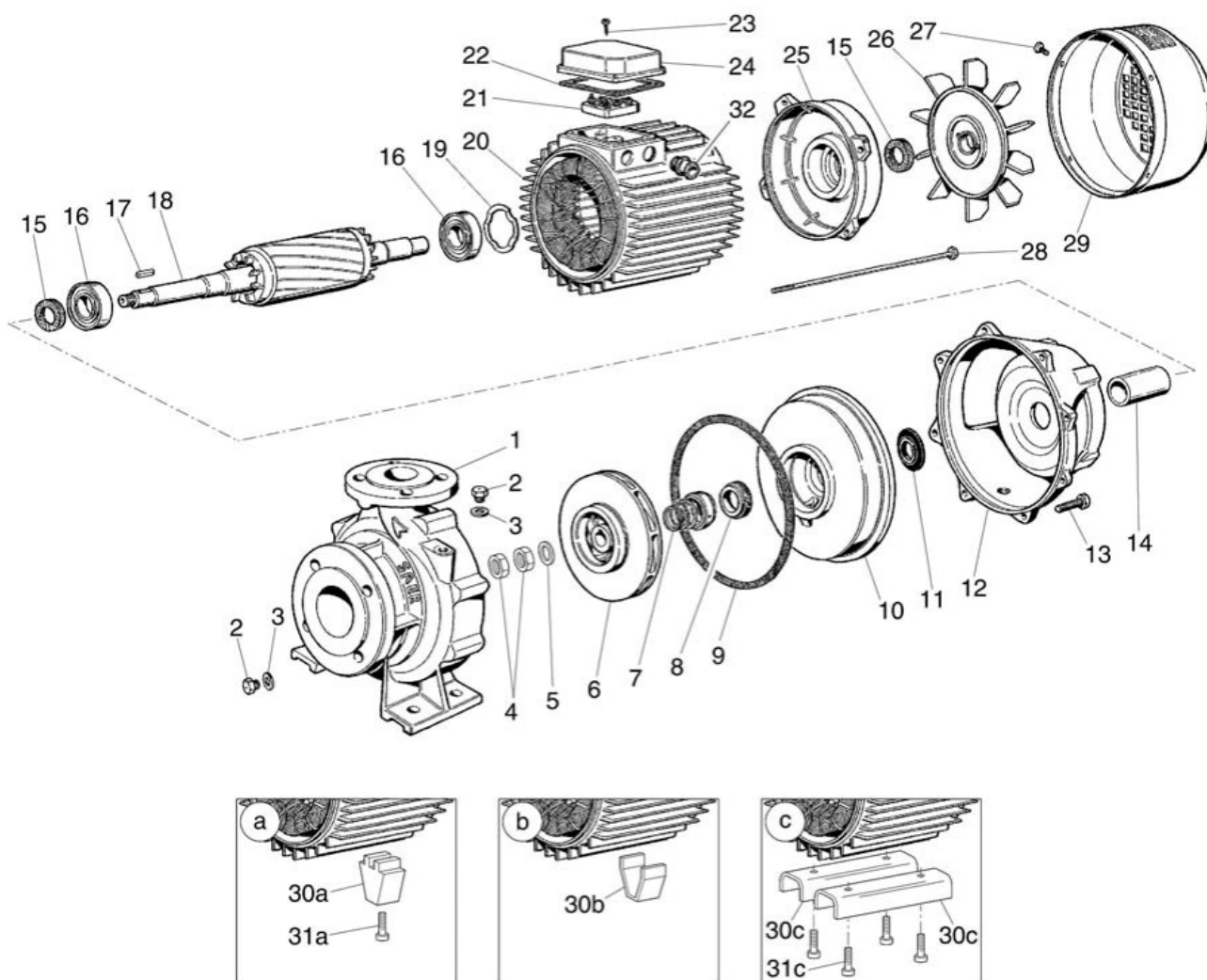
Performance data based to: Water, pure [100%] ; 68°F; 62.3lb/ft<sup>3</sup>; 1.08E-5ft<sup>2</sup>/s UNI EN ISO 9906:2012 - Grade 3B



|         |            |            |                                |             |
|---------|------------|------------|--------------------------------|-------------|
| Project | Project ID | Created by | Created on<br><b>9/26/2022</b> | Last update |
|---------|------------|------------|--------------------------------|-------------|

Company name  
Respons. Department  
Person in charge  
Phone number  
Fax no  
E-mail address

|  |  |
|--|--|
|  |  |
|  |  |
|  |  |
|  |  |
|  |  |
|  |  |



Project

Project ID

Created by

Created on  
**9/26/2022**

Last update