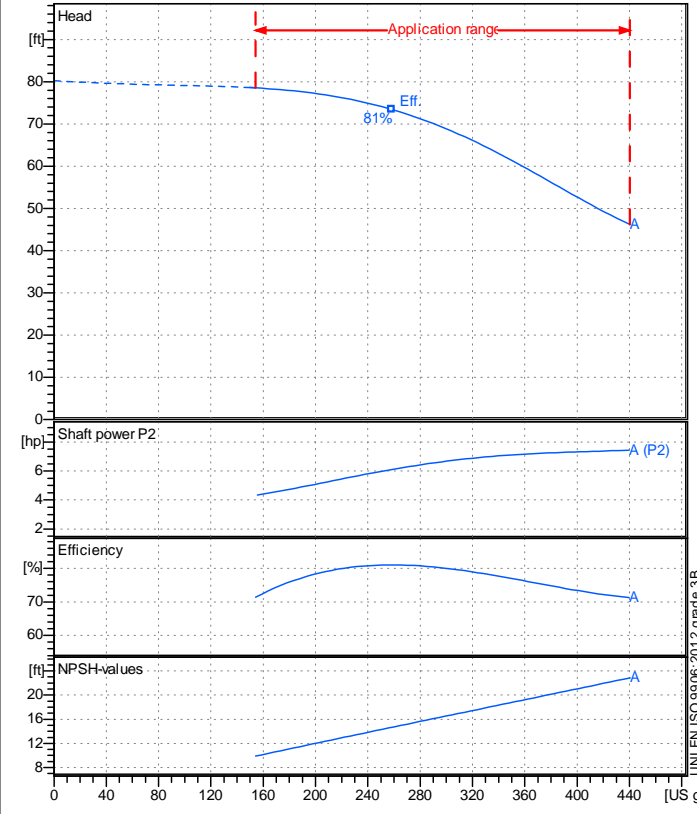


Company name
 Respons. Department
 Person in charge
 Phone number
 Fax no
 E-mail address

Receiver	From



Operating data specification

Nominal flow	US g.p.m. 0
Nominal head	ft 0
Static head	ft 0
NPSH - v value of plant	ft 0
Inlet pressure	psi 1.42
Fluid	Water, pure
Operating temperature t A	°F 68
Density at t A	lb/ft³ 62.32
Kin. viscosity at t A	ft²/s 1.082E-5

Pump		
Pump name	6MG4-4P 65-200NA	
Size	80/65/200	
Design		
Speed rpm	1800	
No of stages	1	
Impeller type		
Flow	Nominal	US g.p.m.
	Max-	US g.p.m. 440
	Min-	US g.p.m. 154
Head	Nominal	ft
	Max-	ft 78.5
	Min-	ft 46.3
Head H(Q=0)	ft 80.2	
NPSH 3%	ft	
Max. working pressure	psi 34.7	
Shaft power	hp	
Efficiency	%	
Max absorbed power	hp 7.4421	

Materials Pump

Shaft	Stainless steel AISI 431 (1.4057)		
Impeller	Cast iron EN-GJL-250		
Pump body	Cast iron EN-GJL-250		
Seal disc	Cast iron EN-GJL-250		
Gasket	Natural fiber		
Mechanical seal	BVEG (Grafito/Ossido Allumina/EPDM)		

Dimensions in inch

<p>a 3¹⁵/₁₆ b 2⁹/₁₆ DNA 3⁷/₈ DNM 2⁹/₁₆ f 18³/₁₆ h1 7¹/₁₆ h2 8⁷/₈ m1 4¹⁵/₁₆ m2 3³/₄ n1 12⁵/₈ n2 9¹³/₁₆ s 9⁹/₁₆ w 12³/₄</p>	
---	--

Motor		Frame size	132 S	
Manufacturer / Type		SAER	MEC132S-4P-5.5	
Rated power	hp	7.3756	Efficiency 4/4	84 %
Electric current	A	21.6/10.8 A	Speed	rpm 1800
Electric voltage	V	230/460V	3~	Hz 60
Starting mode	Unknown			
Degree of protection	IP 55		Insulation class	F

Remarks:				
Project	Project ID	Created by	Created on	Last update
			9/26/2022	

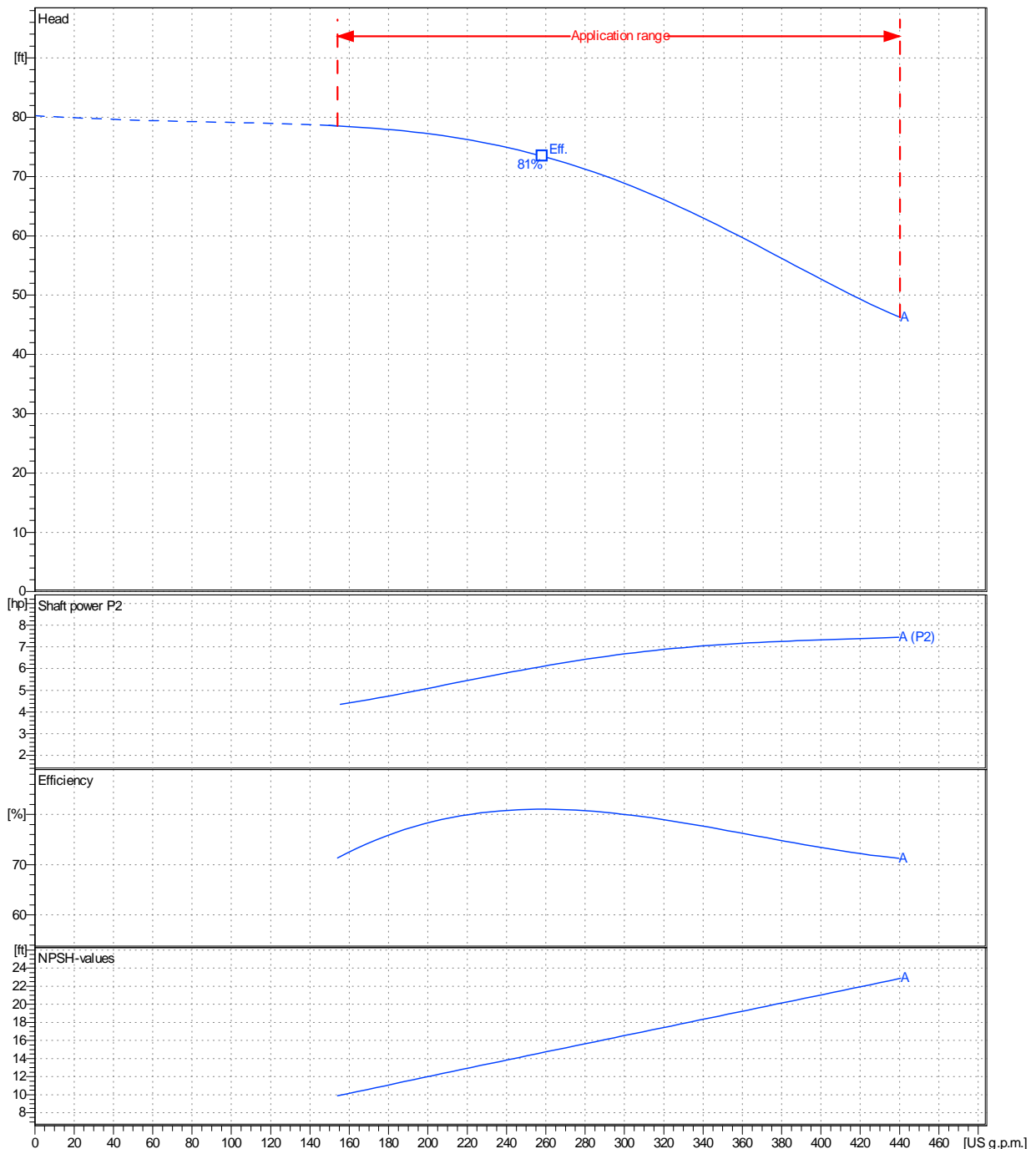
Receiver _____

From _____

 Company name
 Respons. Department
 Person in charge
 Phone number
 Fax no
 E-mail address

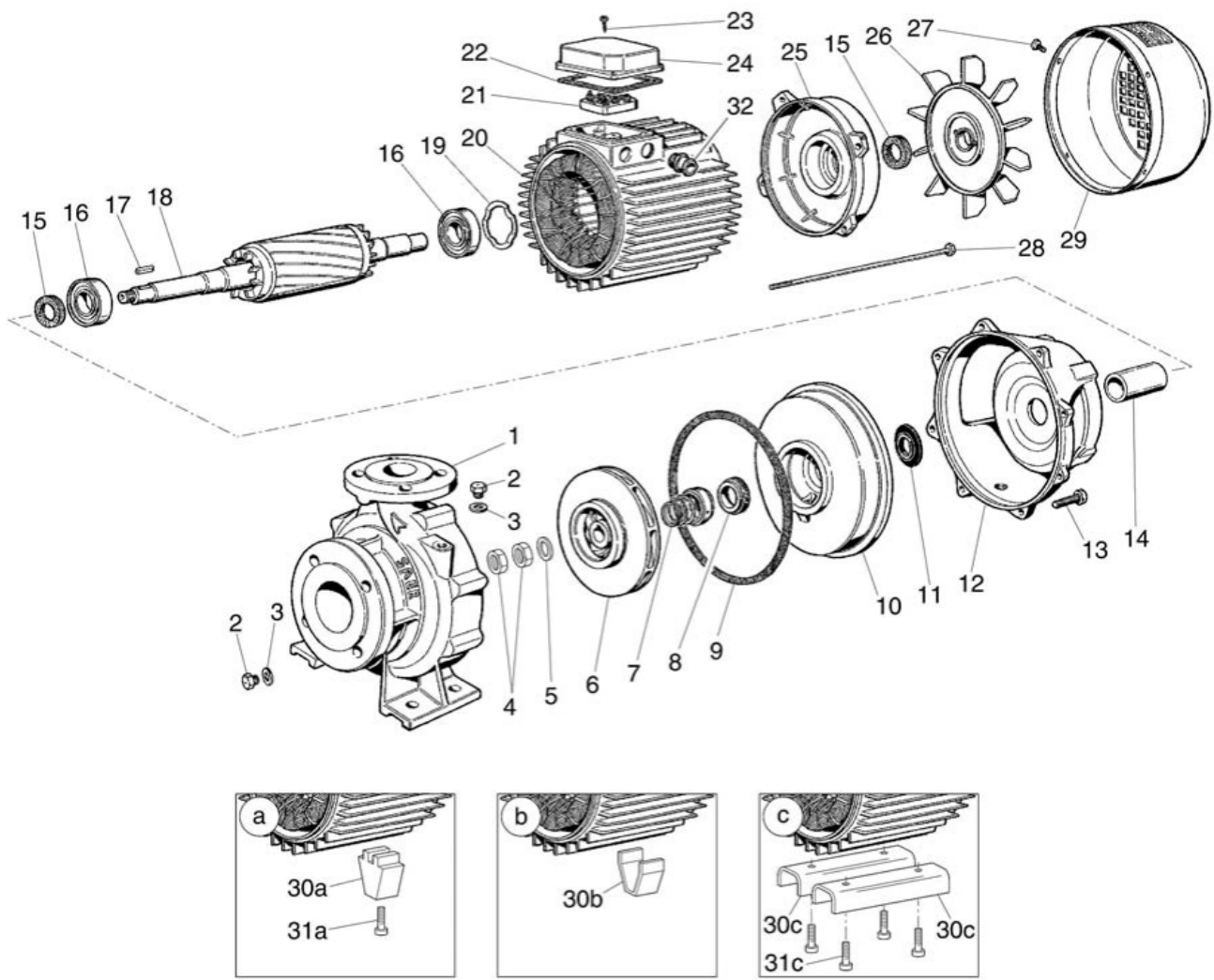
Operating area		Flow		Head		Impeller type			
Operating data specification		0 US g.p.m.		0 ft		Impeller construction		Closed	
Pump data		US g.p.m.		ft		Sense of rotation		Clockwise f from the driv e end	
						Outlet width		DN 65	
		Flow		Head		Shaft power P2		Speed rpm 1800	
		Min. Max. η Max.		H(Q=0) η Max.		P2(Q=0) Max. η Max.		Frequency Hz 60 Hz	
		US g.p.m. US g.p.m. US g.p.m.		ft ft		hp hp hp			
		154 440 258		80.2 73.4		7.44 6.1			

Performance data based to: Water, pure [100%] ; 68°F; 62.3lb/ft³; 1.08E-5ft²/s UNI EN ISO 9906:2012 - Grade 3B



Project	Project ID	Created by	Created on 9/26/2022	Last update
---------	------------	------------	--------------------------------	-------------

Company name
Respons. Department
Person in charge
Phone number
Fax no
E-mail address



Project

Project ID

Created by

Created on
9/26/2022

Last update