



# Technical Data

## Centrifugal Wastewater Pump - GCVQ-112K

Revision no.

Page:  
 1

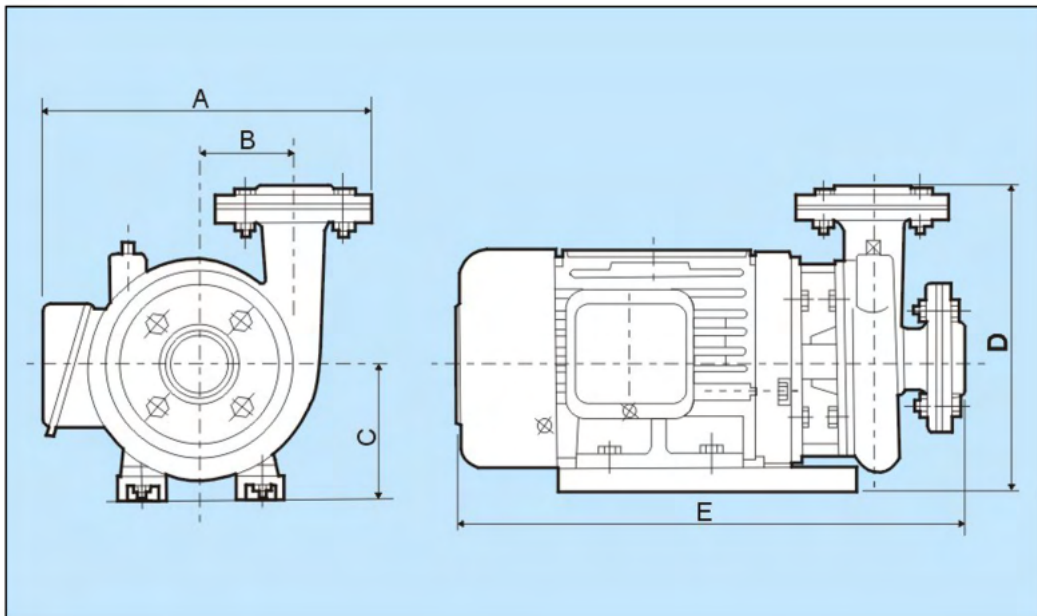
	Receiver	From
Company name	<input style="width: 100%; height: 20px;" type="text"/>	<input style="width: 100%; height: 20px;" type="text"/>
Respons. Department	<input style="width: 100%; height: 20px;" type="text"/>	<input style="width: 100%; height: 20px;" type="text"/>
Person in charge	<input style="width: 100%; height: 20px;" type="text"/>	<input style="width: 100%; height: 20px;" type="text"/>
Phone number	<input style="width: 100%; height: 20px;" type="text"/>	<input style="width: 100%; height: 20px;" type="text"/>
Fax no	<input style="width: 100%; height: 20px;" type="text"/>	<input style="width: 100%; height: 20px;" type="text"/>
E-mail address	<input style="width: 100%; height: 20px;" type="text"/>	<input style="width: 100%; height: 20px;" type="text"/>



**Brand: Gol Pumps**  
**Model: GCVQ-112K**

Weight (lb)
48.5

**Dimensions:**



Flange (inch)	
Inlet	Outlet
1.5	1.5

Pump Installation Size (inch)				
A	B	C	D	E
11.4	3	4.5	9.8	15.4

Project	Project ID	Created by	Created on	Last update
---------	------------	------------	------------	-------------



# Performance Curves

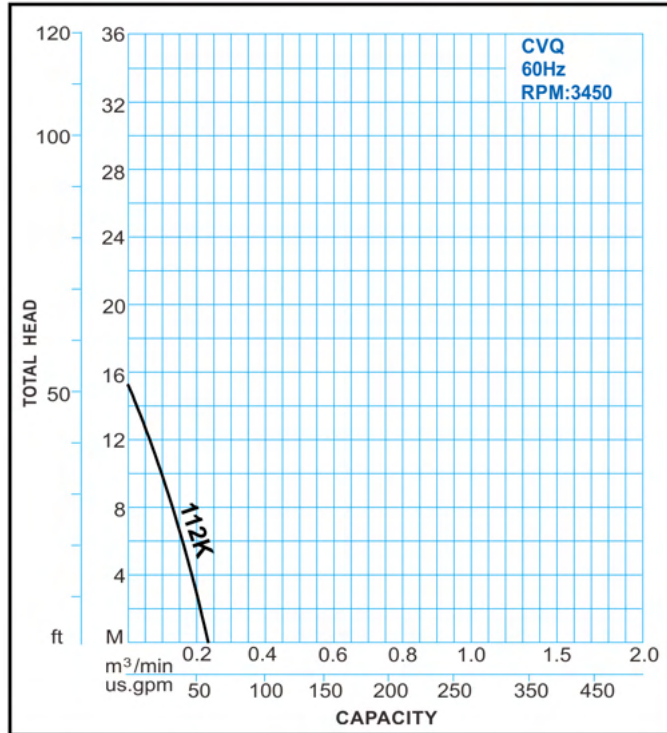
## Centrifugal Wastewater Pump - GCVQ-112K

Revision no. \_\_\_\_\_  
 Page: 2

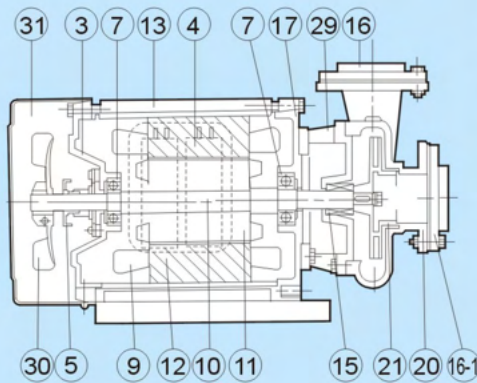
Receiver	From

Company name  
 Respons. Department  
 Person in charge  
 Phone number  
 Fax no  
 E-mail address

Model	Voltage	Phase	Power		Discharge Diam.	Max. Head	Max. Flow		Solid Passage
	v	ph	hp	kw	in	ft	m <sup>3</sup> /min	gpm	Ø in
<b>GCVQ-112K</b>	115-230	1	1	0.75	1.5	49.2	0.21	55.5	0.39



**Parts List:**



No.	PART LIST	MATERIAL
3	Motor Head Cover	Cast Iron
4	Condenser	1Ø only
5	Centrifugal Switch	1Ø only
7	Upper Ball Bearing	
9	Coil	
10	Shaft	Stainless Steel
11	Rotor	Steel Plate
12	Stator	Steel Plate
13	Motor Casing	Cast Iron
15	Mechanical Seal	Silicon Carbide + Viton
16	Flange Setter	Stainless Steel Casting
17	Motor Lower Cover	Cast Iron
20	Pump Casing	Stainless Steel Casting
21	Impeller	Stainless Steel Casting
29	Pump Bracket	Stainless Steel Casting
30	Cooling Fan	Plastic
31	Fan Cover	Steel

Project	Project ID	Created by	Created on	Last update
---------	------------	------------	------------	-------------