



TECHNICAL FEATURES

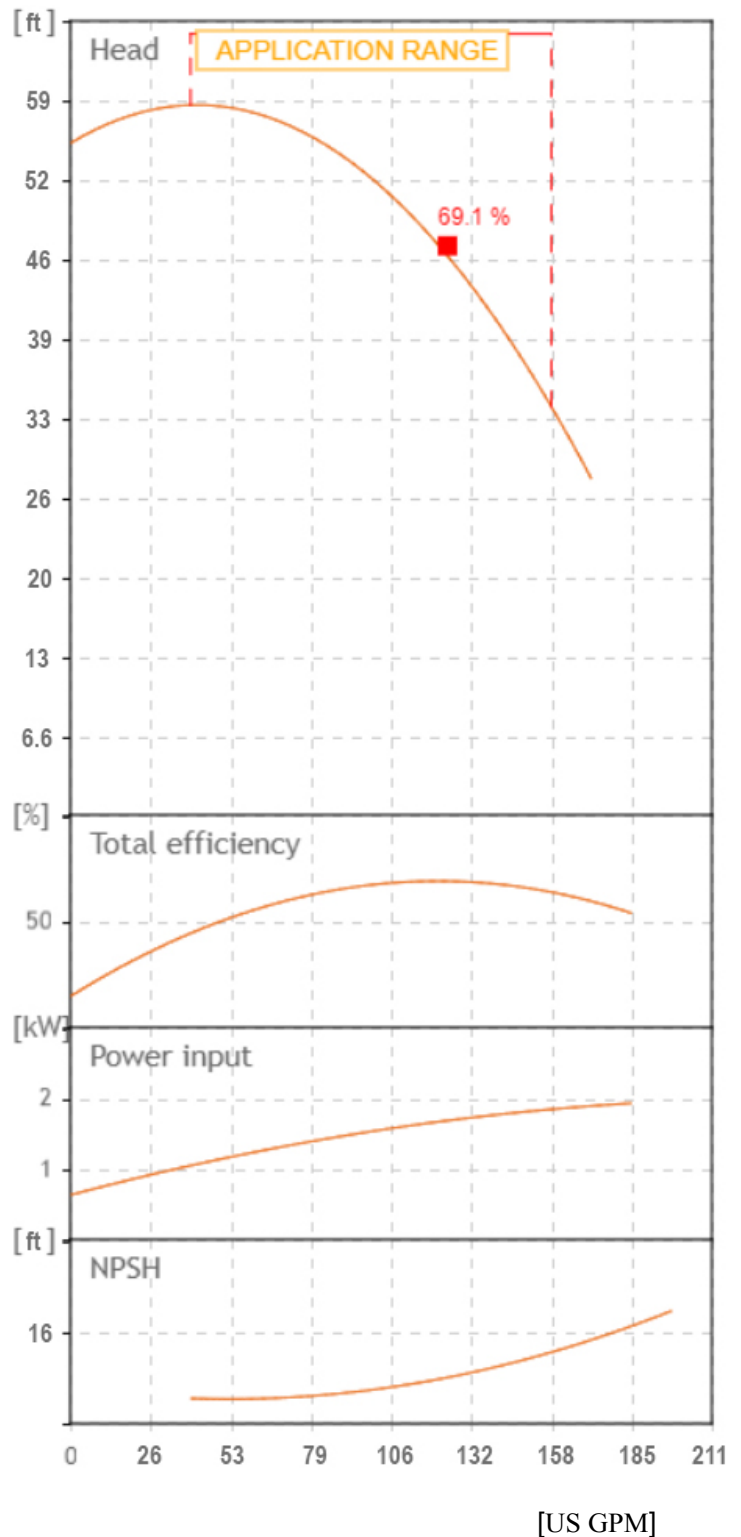
- Pump body: cast iron G20 with anti-corrosive coating
- Motor bracket: cast iron G20 with anti-corrosive coating
- in/outlet: ANSI 125
- Impeller: cast iron G20 with cathaphoretic treatment
- Welding counter flanges: galvanized steel complete with EPDM gaskets
- Pump shaft: stainless steel AISI 304
- Mechanical seal: carbon-ceramics
- Welding Flanges Included



MOTOR

The control motors are asynchronous, squirrel cage-type, closed, with external ventilation

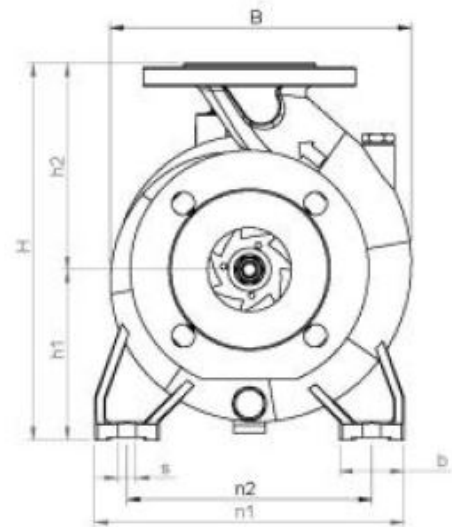
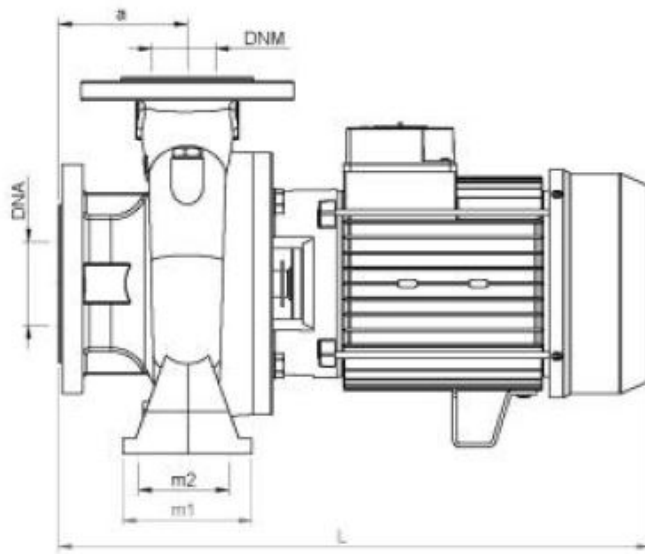
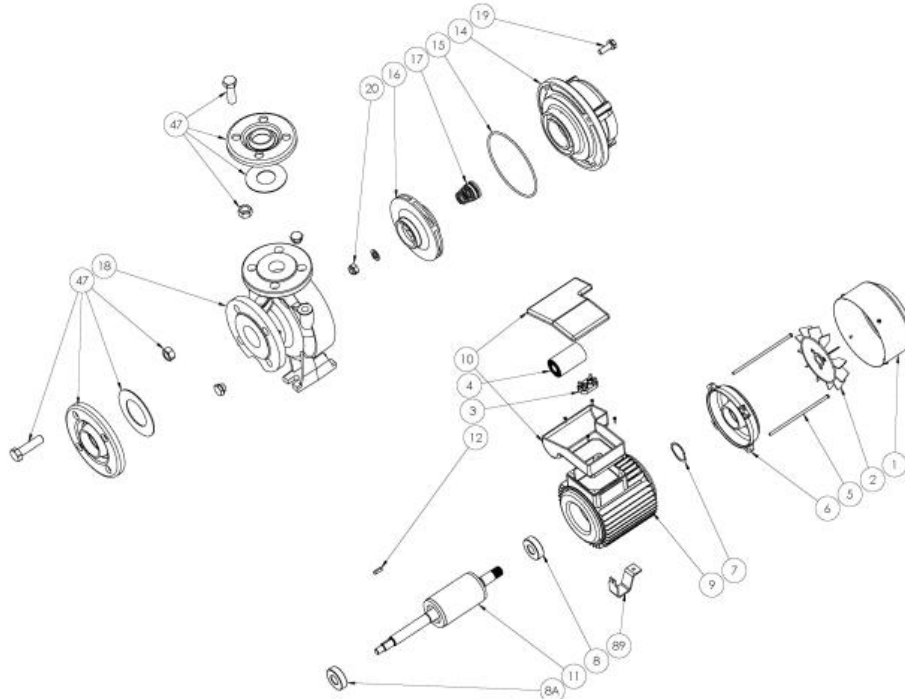
- Incorporated motor protection and capacitor always on, for single-phase models
- Class of insulation: F
- Service: S1
- Degree of protection: Single Phase IP 44
- Terminal board protection IP 54

Tolerance of curves to ISO 9906



		SEA LAND S.r.l. (PD) ITALY www.sea-land.it				MADE IN ITALY	
Type CN 40-125 C M							
H 10.7 - 18.4		m		Q 600 - 150		l/1'	
Hmin 8.2		m		Hmax 17		m	
P1 2700		W		2		HP	
1,5		kW		12.5		A	
1~ 220		V		60		Hz	
40µF		450V		IP 44		3500 Rpm	
S/N		Ins.Cl F		▽		m	
T. MAX FLUID.		35 °C		38		kg	
Servizio continuo				Continuous duty			





TIPO TYPE	DIMENSIONI [mm] DIMENSIONS [mm]																IMBALLO [mm] PACKING [mm]			PESO WEIGHT
	A	B1	S	L	B	H	n1	n2	m1	m2	H1	H2	K asp	K man	B asp	B man	Ai	Pi	Li	[kg]
CN 40-125 C M	80	50	14	400	216	252	210	160	100	70	112	140	145	110	19	18	380	530	330	37.5

TIPO TYPE	DIMENSIONI [mm] DIMENSIONS [mm]			
	n° asp	n° man	DNA (inch)	DNM (inch)
CN 40-125 C M	4	4	65 (2.5")	40 (1.5")

From
Company: Gol pumps
Reference:
Address: 6520 Nw 77ct



Phone: 786-613-5872
Email: info@golpumps.com

Sea-land reserves the right to make changes without prior notice
Page 2 / 2