





**TECHNICAL FEATURES**

- Pump body: cast iron G20 with anti-corrosive coating
- Motor bracket: cast iron G20 with anti-corrosive coating
- in/outlet: ANSI 125
- Impeller: cast iron G20 with cathophoretic treatment
- Welding counter flanges: galvanized steel complete with EPDM gaskets
- Pump shaft: stainless steel AISI 304
- Mechanical seal: carbon-ceramics
- Welding Flanges Included

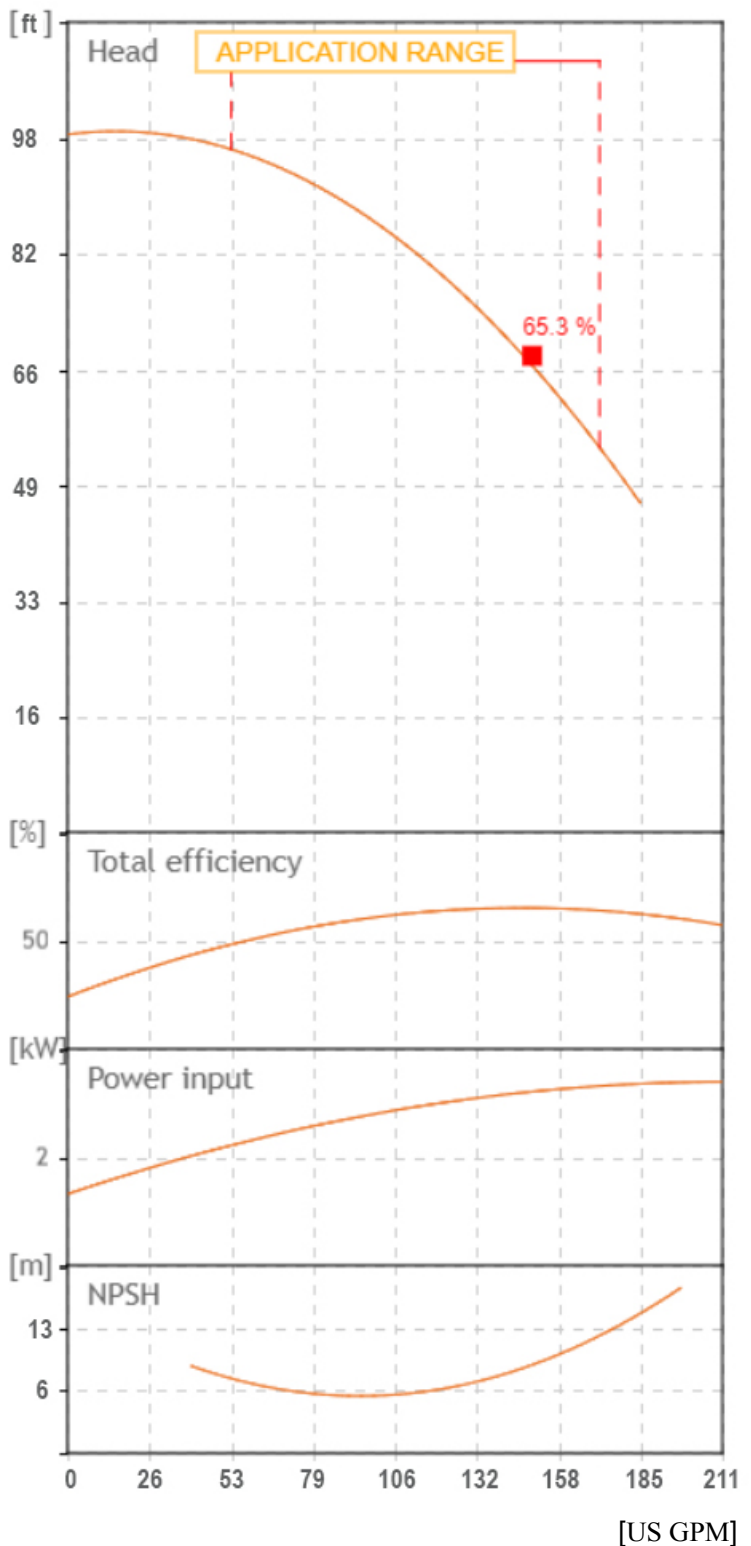
**MOTOR**

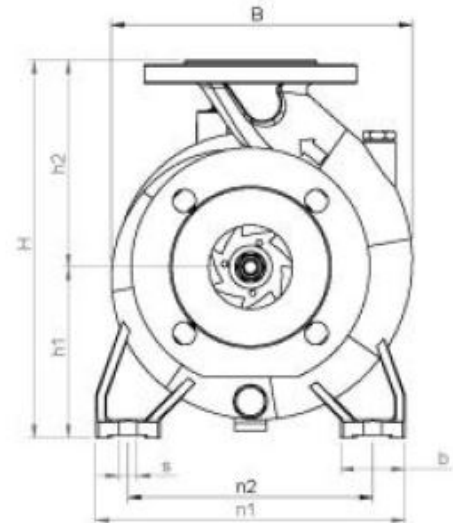
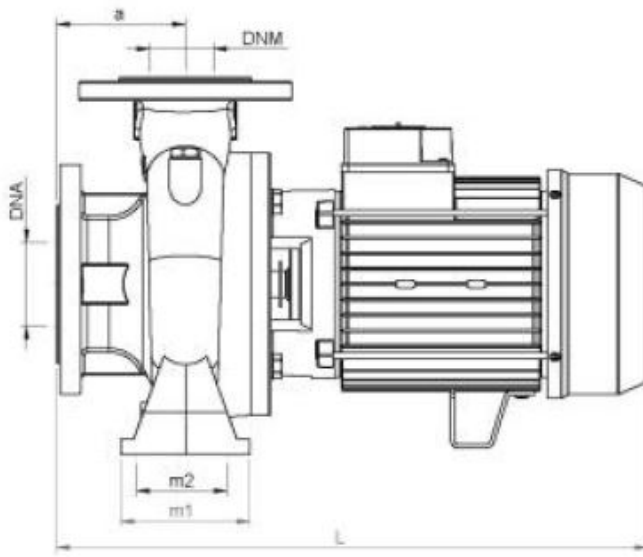
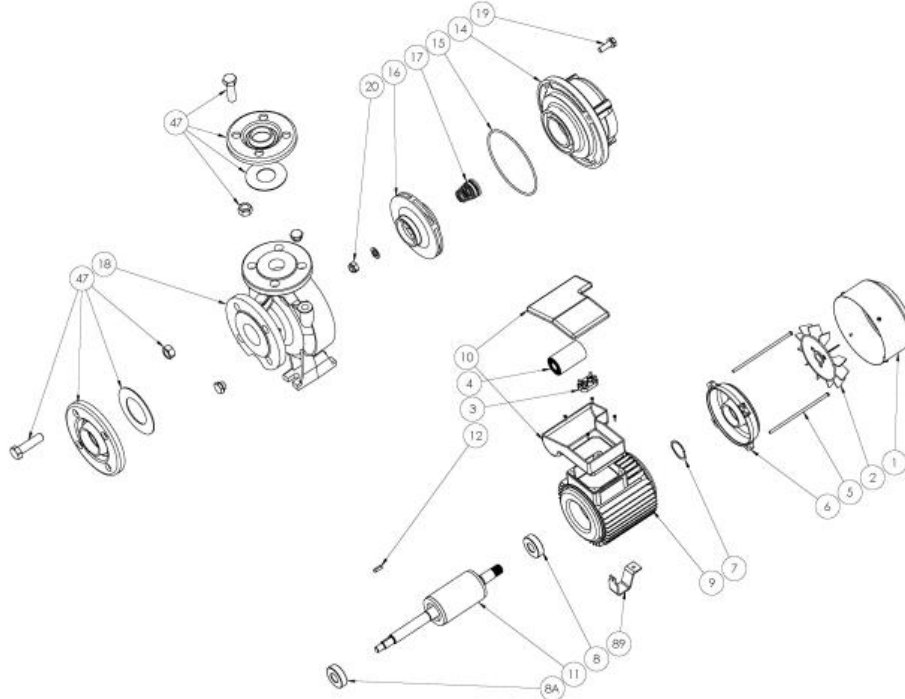
The control motors are asynchronous, squirrel cage-type, closed, with external ventilation

- Incorporated motor protection and capacitor always on, for single-phase models
- Class of insulation: F
- Service: S1
- Degree of protection: Single Phase IP 44
- Terminal board protection IP 54

|  |                 |   |      |  |          |
|--|-----------------|---|------|--|----------|
|  |                 | <b>SEA LAND S.r.l.</b><br>(PD) ITALY<br>www.sea-land.it |      | <br>MADE IN ITALY |          |
| Type CN 40-160 B M   |                 |   |      |  |          |
| H  | 16.5 - 29.1     | m   | Q    | 650 - 200  | l/1'     |
| Hmin   | 14.1            | m   | Hmax | 30.1   | m        |
|  |                 |   | P1   | 4360   | W        |
|  | 4               | HP  | 3    | kW   | 19.4     |
|  |                 |   |      |  | A        |
|  | 1~              | 220   | V    | 60   | Hz       |
|  |                 |   |      |  | η        |
|  | 60              | μF  | 450  | V  | IP 44    |
|  |                 |   |      |  | 3500 Rpm |
| S/N  |                 | Ins.Cl  | F    | ▽  | m        |
| T. MAX FLUID.  | 35              | °C  | 50   | kg   |          |
| Servizio continuo  | Continuous duty |   |      |  |          |

**Tolerance of curves to ISO 9906**





| TIPO<br>TYPE  | DIMENSIONI [mm]<br>DIMENSIONS [mm] |    |    |     |     |     |     |     |     |    |     |     |       |       |       |       | IMBALLO [mm]<br>PACKING [mm] |     |     | PESO<br>WEIGHT |
|---------------|------------------------------------|----|----|-----|-----|-----|-----|-----|-----|----|-----|-----|-------|-------|-------|-------|------------------------------|-----|-----|----------------|
|               | A                                  | B1 | S  | L   | B   | H   | n1  | n2  | m1  | m2 | H1  | H2  | K asp | K man | B asp | B man | Ai                           | Pi  | Li  | [kg]           |
| CN 40-160 B M | 80                                 | 50 | 14 | 463 | 242 | 292 | 240 | 190 | 100 | 70 | 132 | 160 | 145   | 110   | 19    | 18    | 380                          | 530 | 330 | 45.5           |

| TIPO<br>TYPE  | DIMENSIONI [mm]<br>DIMENSIONS [mm] |  |            |  |
|---------------|------------------------------------|--|------------|--|
|               | n° asp                             |  | n° man     |  |
| CN 40-160 B M | 4                                  |  | 4          |  |
|               | DNA (inch)                         |  | DNM (inch) |  |
|               | 65 (2.5")                          |  | 40 (1.5")  |  |

**From**  
Company: Gol pumps  
Reference:  
Address: 6520 Nw 77ct



Phone: 786-613-5872  
Email: info@golpumps.com

Sea-land reserves the right to make changes without prior notice  
Page 2 / 2