





TECHNICAL FEATURES

- Pump body: cast iron G20 with anti-corrosive coating
- Motor bracket: cast iron G20 with anti-corrosive coating
- in/outlet: ANSI 125
- Impeller: cast iron G20 with cataphoretic treatment
- Welding counter flanges: galvanized steel complete with EPDM gaskets
- Pump shaft: stainless steel AISI 304
- Mechanical seal: carbon-ceramics
- Welding Flanges Included

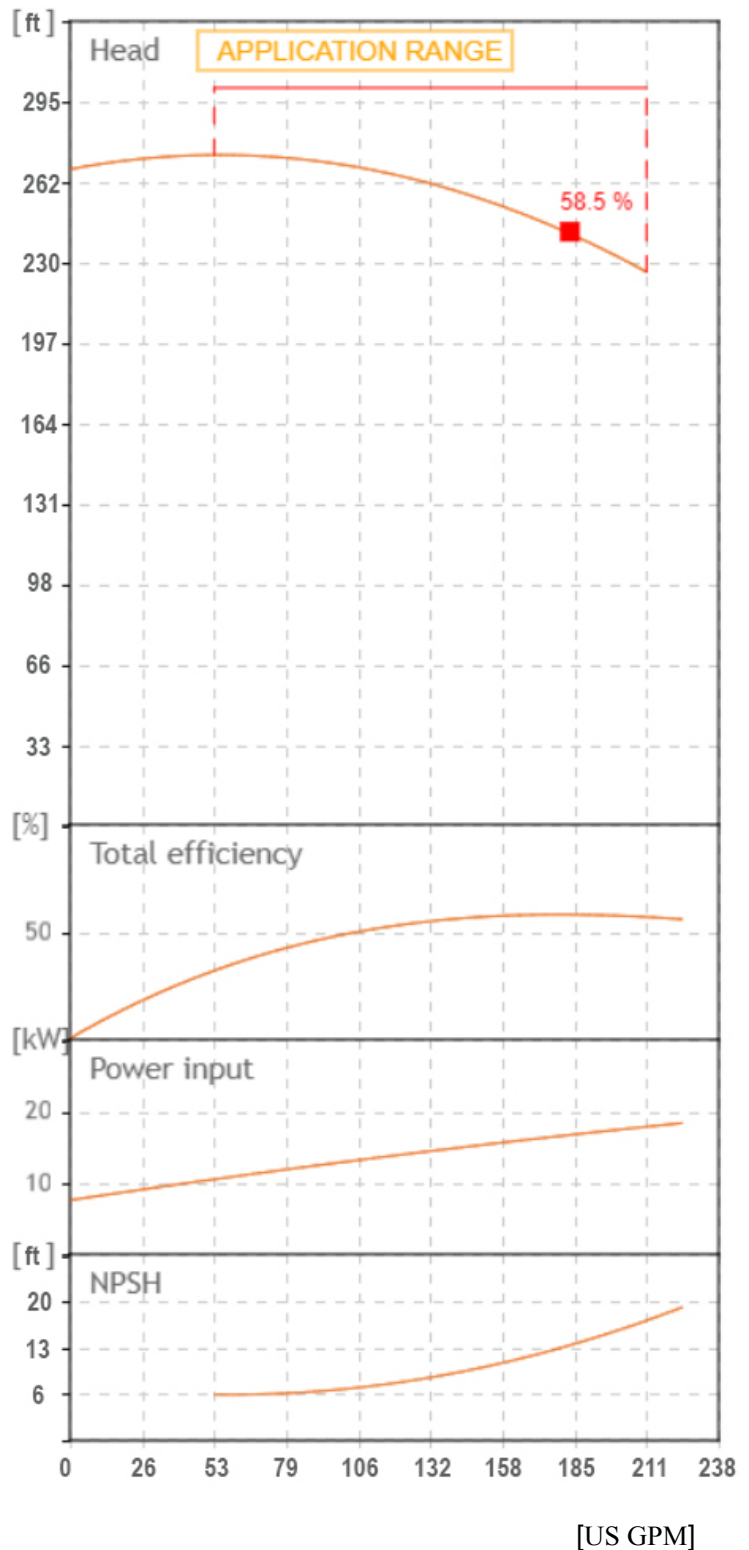
MOTOR

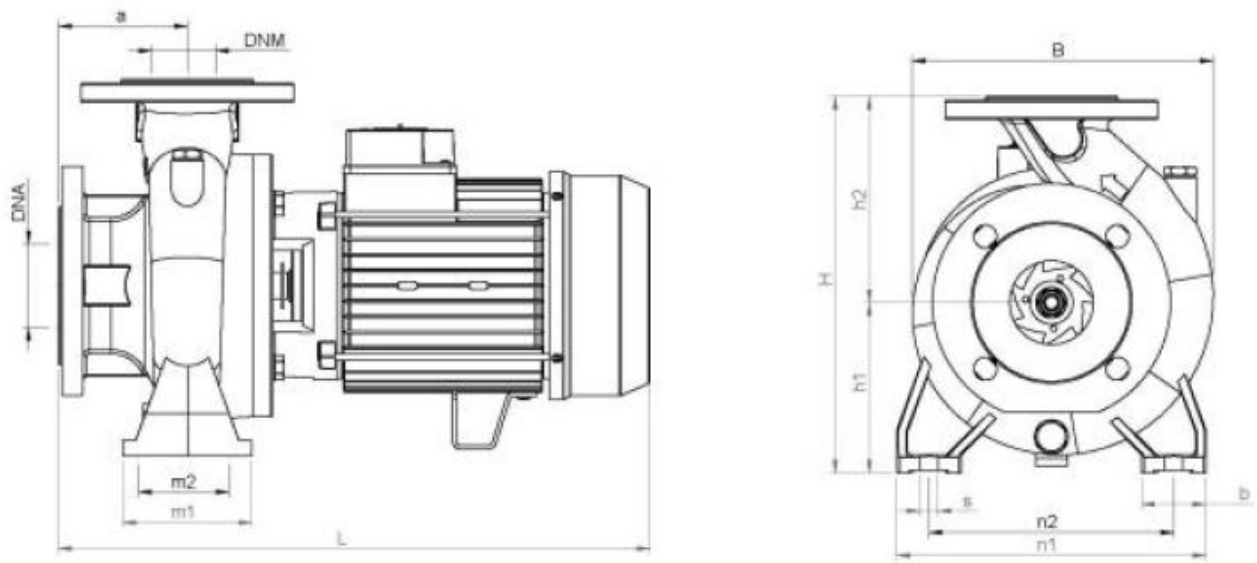
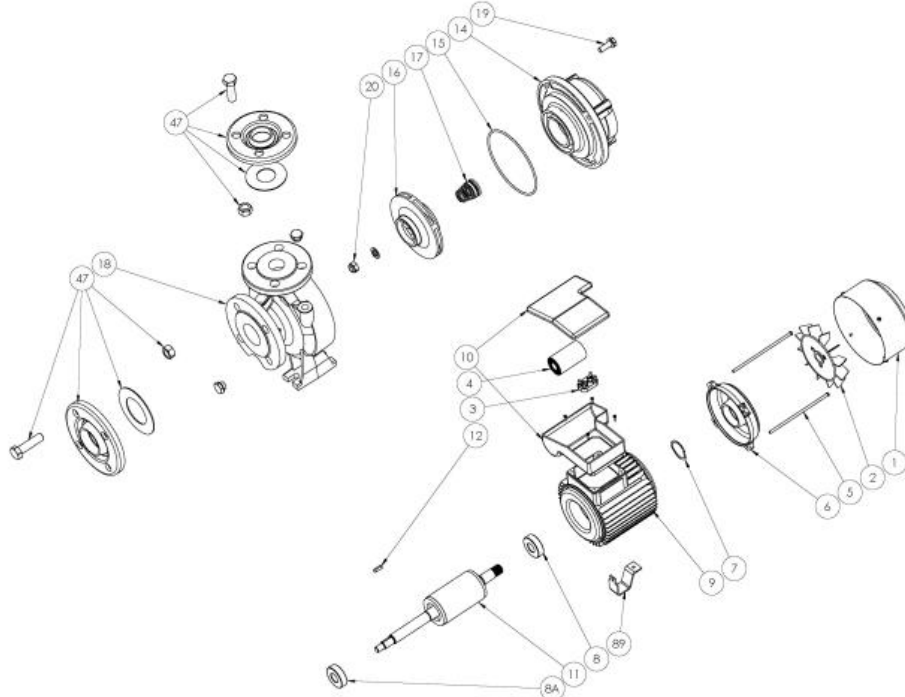
The control motors are asynchronous, squirrel cage-type, closed, with external ventilation

- The motor protection for three-phase models must be installed by the customer. Equipment compliant with current standards should be used
- Class of insulation: F
- Service: S1
- Degree of protection: Three Phase 55
- Terminal board protection IP 54

		SEA LAND S.r.l. (PD) ITALY www.sea-land.it				MADE IN ITALY	
Type CN 40-250 A							
H 68.4 - 82.9		m		Q 800 - 200		l/1'	
Hmin 68.4		m		Hmax 82		m	
P1 18000		W		20		HP	
15		kW		54.6 - 27.3		A	
3~ 220 / 460		V		60		Hz	
η		%		3500		Rpm	
μF		V		IP 55		3500	
S/N		Ins.Cl F		▽		m	
T. MAX FLUID.		35 °C		149		kg	
Servizio continuo				Continuous duty			

Tolerance of curves to ISO 9906





TIPO TYPE	DIMENSIONI [mm] DIMENSIONS [mm]														IMBALLO [mm] PACKING [mm]			PESO WEIGHT		
	A	B1	S	L	B	H	n1	n2	m1	m2	H1	H2	K asp	K man	B asp	B man	Ai	Pi	Li	[kg]
CN 40-250 A	100	65	14	682	328	405	320	250	125	95	180	225	145	110	19	18	480	880	430	149

TIPO TYPE	DIMENSIONI [mm] DIMENSIONS [mm]			
	n° asp	n° man	DNA (inch)	DNM (inch)
CN 40-250 A	4	4	65 (2.5")	40 (1.5")

From
Company: Gol pumps
Reference:
Address: 6520 Nw 77ct



Phone: 786-613-5872
Email: info@golpumps.com

Sea-land reserves the right to make changes without prior notice
Page 2/ 2