



**TECHNICAL FEATURES**

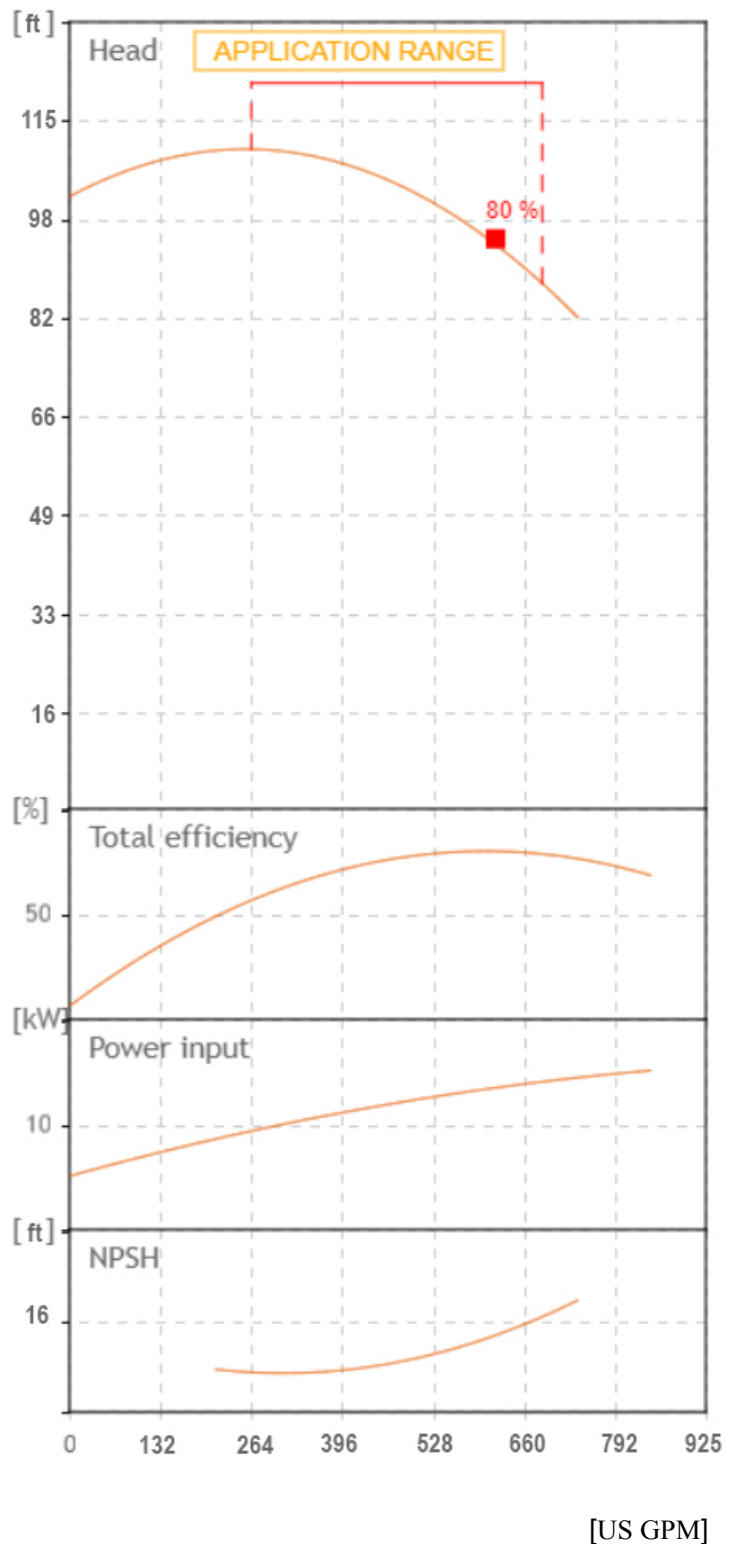
- Pump body: cast iron G20 with anti-corrosive coating
- Motor bracket: cast iron G20 with anti-corrosive coating
- in/outlet: ANSI 125
- Impeller: cast iron G20 with cataphoretic treatment
- Welding counter flanges: galvanized steel complete with EPDM gaskets
- Pump shaft: stainless steel AISI 304
- Mechanical seal: carbon-ceramics
- Welding Flanges Included



**MOTOR**

The control motors are asynchronous, squirrel cage-type, closed, with external ventilation

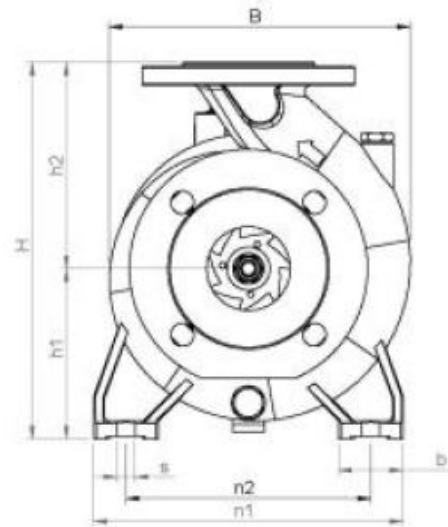
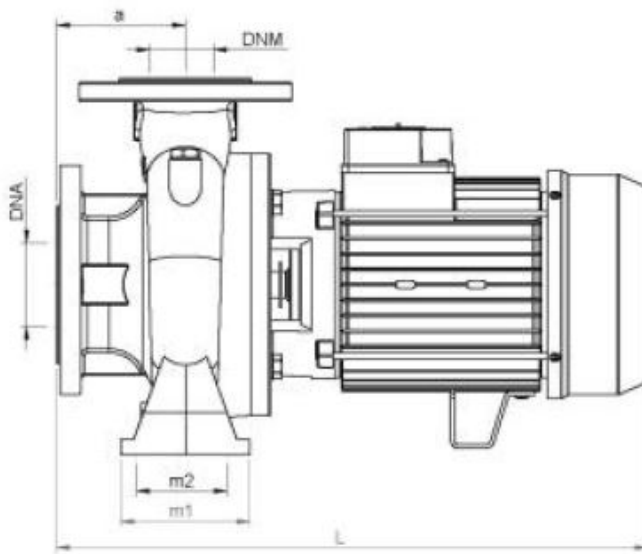
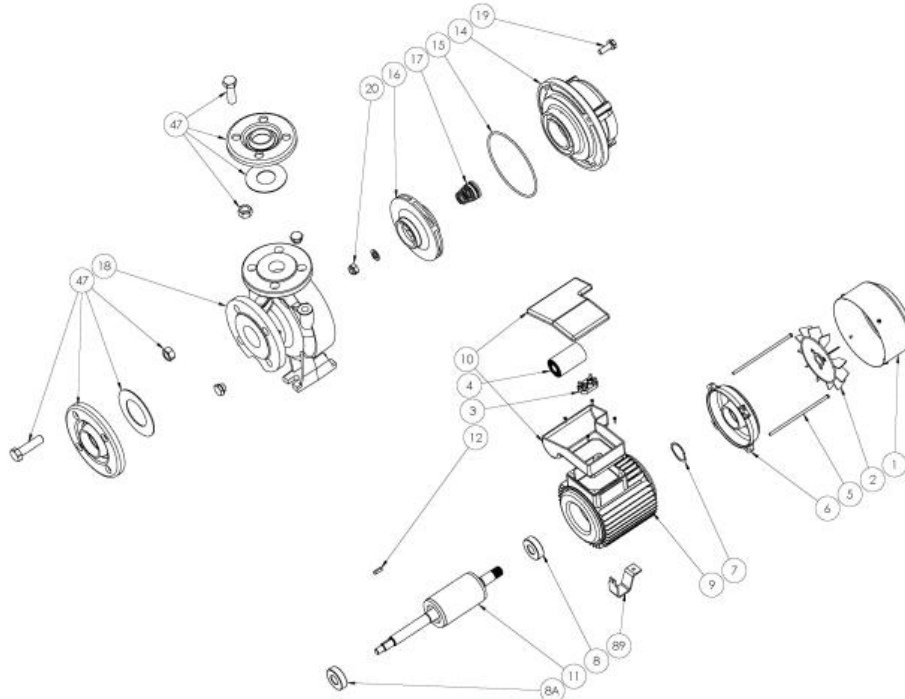
- The motor protection for three-phase models must be installed by the customer. Equipment compliant with current standards should be used
- Class of insulation: F
- Service: S1
- Degree of protection: Three Phase 55
- Terminal board protection IP 54

**Tolerance of curves to ISO 9906**



		<b>SEA LAND S.r.l.</b> (PD) ITALY www.sea-land.it		 <b>MADE IN ITALY</b>	
Type CN 80-160 C					
H	26.7 - 33.5	m	Q	2600 - 1000	l/1'
Hmin	25.2	m	Hmax	31	m
			P <sub>1</sub>	14440	W
○	20	HP	○	15	kW
				44.1 - 26	○ A
3~	220 / 460	V	60	Hz	η
					%
μF		V	IP	55	3500 Rpm
S/N		Ins.Cl	F	▽	m
T. MAX FLUID.	35 °C	147.5	kg		
Servizio continuo	Continuos duty				





TIPO TYPE	DIMENSIONI [mm] DIMENSIONS [mm]														IMBALLO [mm] PACKING [mm]			PESO WEIGHT		
	A	B1	S	L	B	H	n1	n2	m1	m2	H1	H2	K asp	K man	B asp	B man	Ai	Pi	Li	[kg]
CN 80-160 C	125	65	14	710	330	405	320	250	125	95	180	225	180	160	24	22	480	880	430	147.5

TIPO TYPE	DIMENSIONI [mm] DIMENSIONS [mm]			
	n° asp	n° man	DNA (inch)	DNM (inch)
CN 80-160 C	8	4	100 (4")	80 (3")

**From**  
Company: Gol pumps  
Reference:  
Address: 6520 Nw 77ct



Phone: 786-613-5872  
Email: info@golpumps.com

Sea-land reserves the right to make changes without prior notice  
Page 2 / 3