

EUROINOX

MULTISTAGE CENTRIFUGAL PUMPS



Multistage horizontal centrifugal pump, featuring extremely silent running suitable for domestic use for water supply and pressurisation, irrigation of gardens and vegetable gardens, and moving water in general.

Euroinox: stainless steel pump body.

Motor support in die-cast aluminium, seal holder in AISI 304 steel. Mechanical seal in carbon/ceramic. Rotor shaft in AISI 304 steel. Rotors, diffuser bodies and diffusers in technopolymer. Adjustment rings in stainless steel.

Protection level of motor IP 44

Protection level of terminal board IP 55

Insulation class F

Operating range from 2.6 to 31.7 GPM with a head of up to 236 ft

Pumped liquid characteristics clean, free from solid or abrasive substances, non viscous, non aggressive, non crystallised, chemically neutral and close to the characteristics of water

Liquid temperature range

from 32°F to +95°F for domestic use

(EN 60335-2-41)

from 32°F to +104°F for other uses

Maximum ambient temperature +104°F

Maximum operating pressure 116 psi

Euroinox self-priming



TECHNICAL DATA

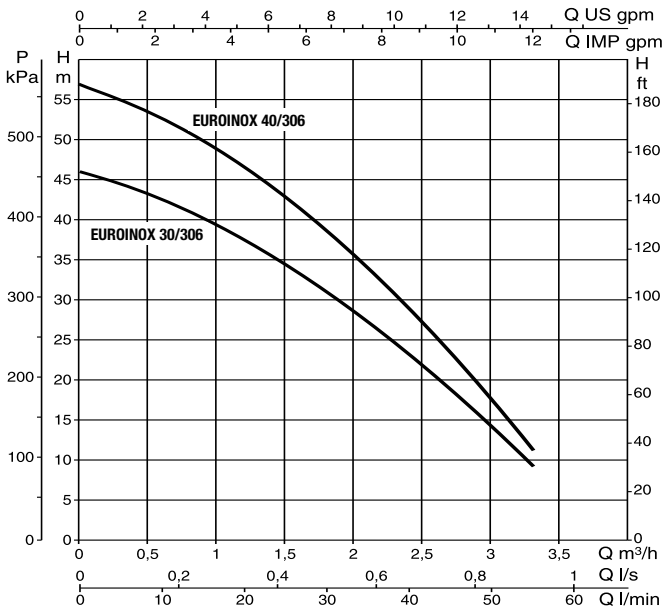
| MODEL | CODE | ELECTRICAL DATA | | | | | | |
|-------------------|----------|---------------------------|--------------|------------|------|------------|-----------|-----|
| | | VOLTAGE 60 Hz | P1 MÁX kW | P2 NOMINAL | | In A | CAPACITOR | |
| | | | | kW | HP | | µF | Vc |
| EUROINOX 30/306 M | 60119512 | 1X115/230 V~ dual VOLTAGE | 0.89 | 0.33 | 0.6 | 8.0- 4.12 | 50 | 250 |
| EUROINOX 40/306 M | 60119513 | 1X115/230 V~ dual VOLTAGE | 1 | 0.5 | 0.75 | 8.92- 4.55 | 50 | 250 |
| EUROINOX 30/506 M | 60119514 | 1X115/230 V~ dual VOLTAGE | 0.94 | 0.5 | 0.75 | 8.31- 4.28 | 50 | 250 |
| EUROINOX 40/506 M | 60119515 | 1X115/230 V~ dual VOLTAGE | 1.3 | 0.8 | 1.1 | 13.0- 6.6 | 80 | 250 |
| EUROINOX 50/506 M | 60119516 | 1X115/230 V~ dual VOLTAGE | 1.5 | 1 | 1.36 | 14.6- 7.4 | 80 | 250 |
| EUROINOX 25/806 M | 60119517 | 1X115/230 V~ dual VOLTAGE | 0.9 | 0.55 | 0.75 | 8.3- 4.3 | 50 | 250 |
| EUROINOX 30/806 M | 60119518 | 1X115/230 V~ dual VOLTAGE | 1.3 | 0.8 | 1.1 | 13.0- 6.5 | 80 | 250 |
| EUROINOX 40/806 M | 60119519 | 1X115/230 V~ dual VOLTAGE | 1.5 | 1.1 | 1.36 | 14.6- 7.4 | 80 | 250 |

EUROINOX

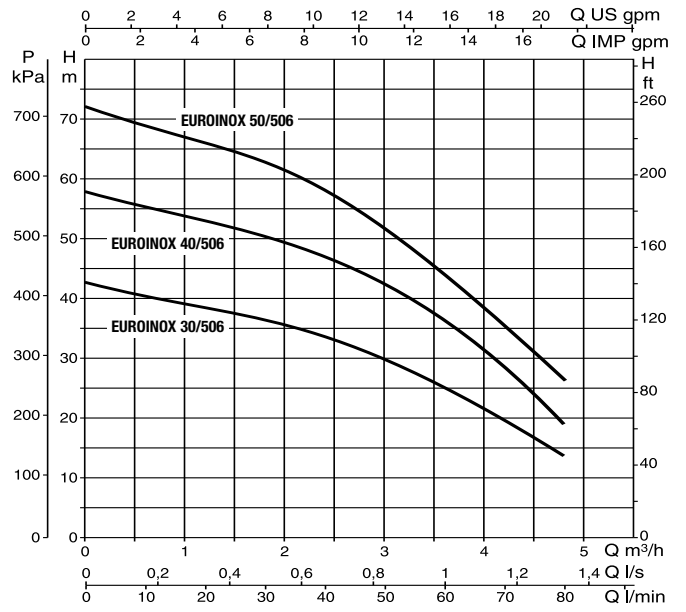
MULTISTAGE CENTRIFUGAL PUMPS

RANGE PERFORMANCE

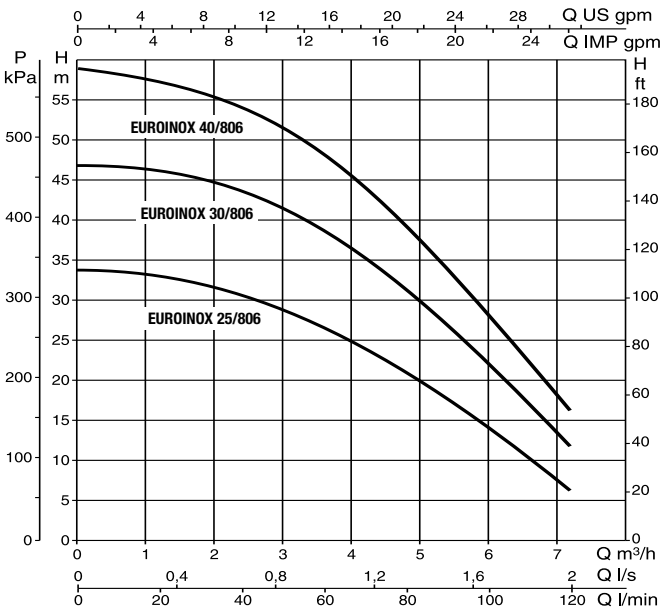
EUROINOX 30



EUROINOX 50



EUROINOX 80



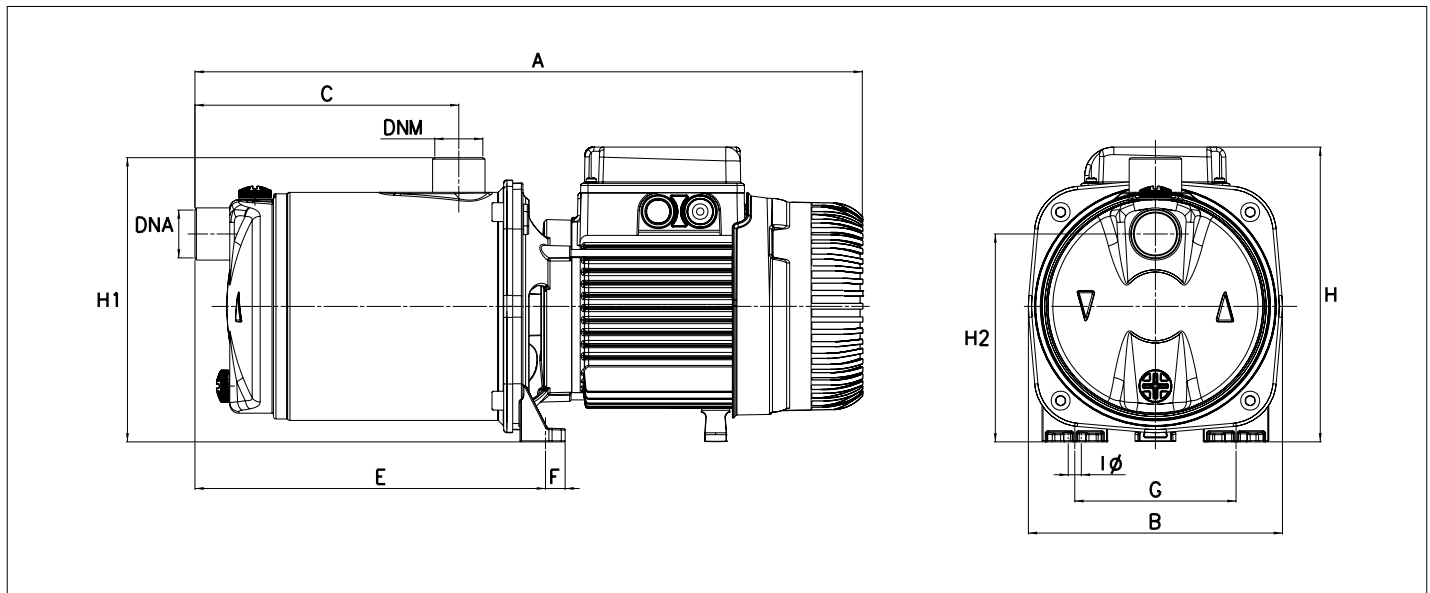
EUROINOX

MULTISTAGE CENTRIFUGAL PUMPS

RANGE PERFORMANCE

| MODEL | P2 NOMINAL | | Q=GPM | 0 | 2,6 | 5.3 | 7.9 | 10.6 | 13.2 | 15.8 | 18.5 | 21.1 | 26.4 | 31.7 |
|-------------------|------------|------|-----------|-----|-----|-----|-----|------|------|------|------|------|------|------|
| | kW | HP | | | | | | | | | | | | |
| EUROINOX 30/306 M | 0.45 | 0.6 | H (ft) | 151 | 138 | 124 | 102 | 76 | 47 | | | | | |
| EUROINOX 40/306 M | 0.55 | 0.75 | | 187 | 173 | 154 | 127 | 95 | 58 | | | | | |
| EUROINOX 30/506 M | 0.55 | 0.75 | | 138 | 132 | 125 | 119 | 111 | 98 | 81 | 64 | 46 | | |
| EUROINOX 40/506 M | 0.75 | 1 | | 190 | 181 | 173 | 164 | 155 | 140 | 117 | 92 | 62 | | |
| EUROINOX 50/506 M | 1 | 1.36 | | 236 | 225 | 215 | 204 | 191 | 171 | 143 | 113 | 85 | | |
| EUROINOX 25/806 M | 0.55 | 0.75 | | 112 | | 108 | 105 | 100 | 94 | 85 | 77 | 69 | 48 | 21 |
| EUROINOX 30/806 M | 0.8 | 1.1 | | 154 | | 153 | 148 | 143 | 135 | 125 | 113 | 102 | 75 | 39 |
| EUROINOX 40/806 M | 1 | 1.36 | | 194 | | 187 | 184 | 177 | 167 | 154 | 143 | 128 | 97 | 54 |

DIMENSIONS AND WEIGHTS



| MODEL | A | B | C | E | F | G | IØ 4 Holes | H | H1 | H2 | DNA (NPT) | DNM (NPT) | PACKING DIMENSIONS | | | WEIGHT lbs | Q.TY x PALLET |
|-------------------|------|-----|-----|-----|-----|-----|---------------|-----|-----|-----|--------------|--------------|--------------------|-----|------|---------------|------------------|
| | | | | | | | | | | | | | L/A | L/B | H | | |
| EUROINOX 30/306 M | 17.3 | 6.9 | 6.5 | 9.5 | 0.5 | 4.4 | 0.4 | 7.6 | 7.7 | 5.6 | 1" | 1" | 18.9 | 8.3 | 10.4 | 25.8 | 28 |
| EUROINOX 40/306 M | 17.3 | 6.9 | 6.5 | 9.5 | 0.5 | 4.4 | 0.4 | 7.6 | 7.7 | 5.6 | 1" | 1" | 18.9 | 8.3 | 10.4 | 26.2 | 28 |
| EUROINOX 30/506 M | 15.1 | 6.9 | 4.3 | 7.3 | 0.5 | 4.4 | 0.4 | 7.6 | 7.7 | 5.6 | 1" | 1" | 17.3 | 8.1 | 9.6 | 23.1 | 28 |
| EUROINOX 40/506 M | 18 | 6.9 | 6.5 | 9.5 | 0.5 | 4.4 | 0.4 | 8 | 7.7 | 5.6 | 1" | 1" | 18.9 | 8.3 | 10.4 | 32.2 | 28 |
| EUROINOX 50/506 M | 18 | 6.9 | 6.5 | 9.5 | 0.5 | 4.4 | 0.4 | 8 | 7.7 | 5.6 | 1" | 1" | 18.9 | 8.3 | 10.4 | 33.3 | 28 |
| EUROINOX 25/806 M | 15.1 | 6.9 | 4.3 | 7.3 | 0.5 | 4.4 | 0.4 | 7.6 | 7.7 | 5.6 | 1" | 1" | 17.3 | 8.1 | 9.6 | 23.1 | 28 |
| EUROINOX 30/806 M | 18 | 6.9 | 6.5 | 9.5 | 0.5 | 4.4 | 0.4 | 8 | 7.7 | 5.6 | 1" | 1" | 18.9 | 8.3 | 10.4 | 32.2 | 28 |
| EUROINOX 40/806 M | 18 | 6.9 | 6.5 | 9.5 | 0.5 | 4.4 | 0.4 | 8 | 7.7 | 5.6 | 1" | 1" | 480 | 212 | 265 | 15.1 | 28 |