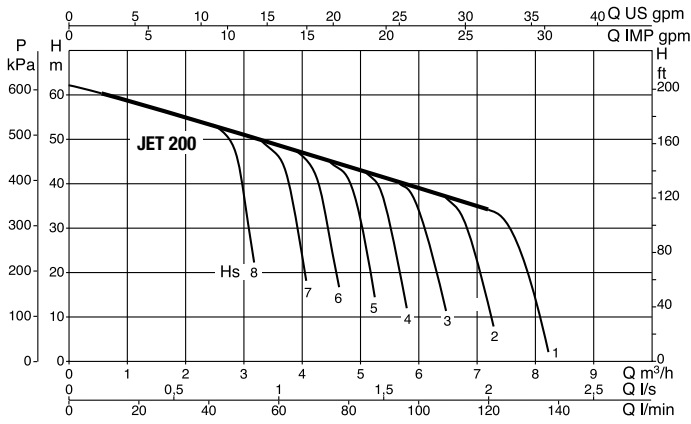


JETCOM - JET

SELF-PRIMING CENTRIFUGAL PUMPS

RANGE PERFORMANCE

JET 200



JETCOM - JET

MODEL	P2 NOMINAL		Q=(GPM)	H															
	kW	HP		0	2.6	5.3	7.9	10.6	13.2	15.8	18.5	21.1	26.4	31.7	39.6	42.2	46.2		
JETCOM 82 M	0.6	0.8	H (ft)	154	131	112	98	86	77	66									
JETCOM 102 M	0.75	1		177	154	135	119	106	94	85									
JETCOM 132 M	1	1.36		158	150	140	131	123	115	107	98	89							
JET 50	0.6	0.8		154	131	112	98	86	77	67									
JET 75	0.75	1		177	154	135	119	106	94	85									
JET 75-1	0.75	1		119	110	102	93	85	79	72	64	56							
JET 100	1	1.36		200	177	157	140	127	114	66									
JET 100-1	1	1.36		158	150	140	131	123	115	107	98	89							
JET 150	1.1	1.5		200	191	184	174	164	151	141	118								
JET 200	1.85	2.5		203	197	190	184	177	167	159	151	143	128	112					

JETCOM - JET

SELF-PRIMING CENTRIFUGAL PUMPS

RANGE PERFORMANCE

JET

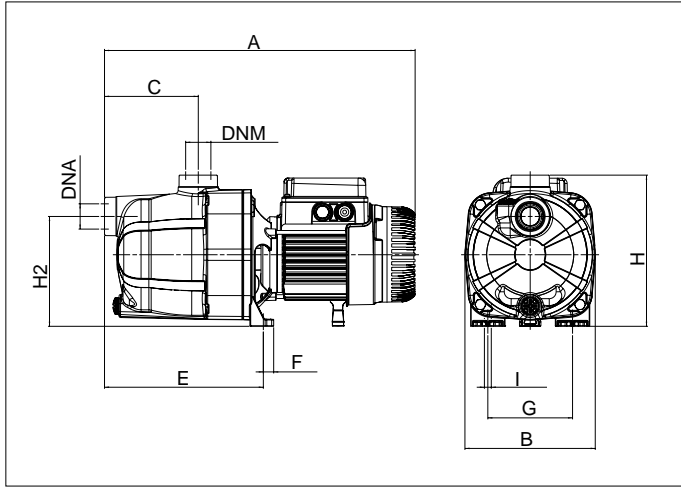
MODEL	HP	DEPTH TO WATER	DISCHARGE PRESSURE											SHUT OFF PRESSURE
			15	20	25	30	35	40	45	50	55	60	65	
			FLOW GPM											
JET 50	1/2	5	14.8	14.8	14.7	13.6								62
		10	13.2	13.2	13.1	12.8								
		15		10.8	10.8	10.7	10.1							
		20			8.9	8.9	8.8	7.6						
		25			7	7	7	6.9	5.5					
JET 75	3/4	5	22.1	22.1	21.6								52	
		10	19.8	19.8	19.7									
		15	17.4	17.4	17.3	17.1								
		20		15.2	15.2	15.1								
		25	12.1	12.1	12	12	11.8							
JET 75-1	3/4	5			14.3	14.3	14.2	12.6					75	
		10			13.1	13.1	13	12.3						
		15				11	11	11	11					
		20				9.2	9.1	9.1	9					
		25					7	7	7	6.9				
JET 100	1	5	21.8	21.8	21.6	21.5	21.3						71	
		10	19.2	20.1	19.8	19.8	19.5	19.3						
		15	17.6	17.5	17.4	17.3	17.1	17						
		20		15.1	14.9	14.9	14.8	14.5	14.4					
		25		12	11.8	11.8	11.7	11.7	11.6	11.4				
JET 100-1	1	5				14.5	14.4	14.3	14.2				86	
		10					13.1	12.8	12.7	12.4				
		15						11.8	11.6	11.4	10.9			
		20							9.9	9.8	9.7	9.4		
		25									7.9	7.8		7.7
JET 150	1	5		21	20.9	20.7	20.6	20.3	20.2	19.9			87	
		10		19	18.8	18.5	18.2	17.9	17.8	17.5	17.3			
		15			15.7	15.5	15.4	15.2	15.1	15	14.8	14.5		
		20				13.3	13.1	12.9	12.7	12.5	12.4	12.1		11.9
		25						9.7	9.5	9.3	9.1	8.9		8.6
JET 200	1	5		31.8	31.6	31.2	30.8	30.5	30.1	29.1			85	
		10		28	27.7	27.6	27.2	26.9	26.7	26	25.1			
		15		23.6	23.3	23.2	23.1	22.8	22.5	22.3	22.1	20.9		
		20			20.2	19.9	19.8	19.7	19.4	19.3	19	18.5		17.3
		25						14.3	14.2	14.1	13.8	13.7		13.4

JETCOM - JET

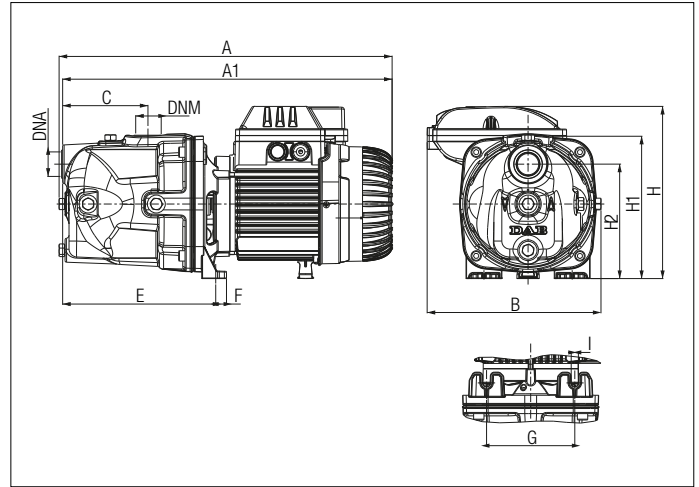
SELF-PRIMING CENTRIFUGAL PUMPS

DIMENSIONS AND WEIGHTS

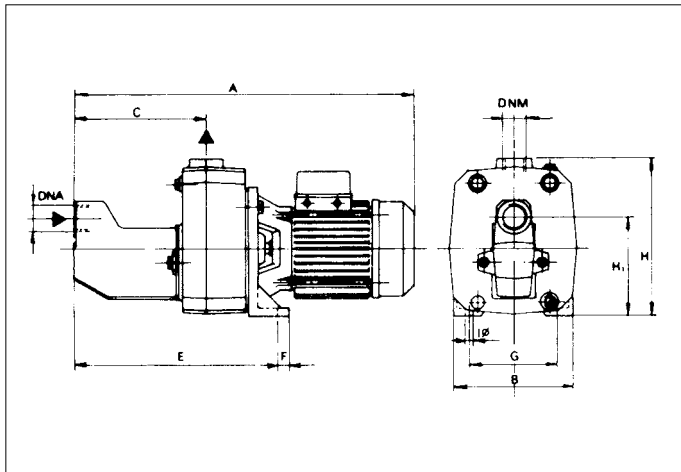
JETCOM



JET 50 - 75 - 75-1 - 100 - 100-1



JET 150 - 200



MODEL	A	A1	B	C	E	F	G	H	H1	H2	I Ø	DNA (NPT)	DNM (NPT)	L/A	L/B	H	WEIGHT lbs	Q.TY x PALLET
JETCOM 82	16	6.7	4.8	8.2	0.6	4.4	7.8	-	5.7	0.4	-	1"	1"	18.5	9.4	9.4	17	28
JETCOM 102	16.7	6.7	4.8	8.2	0.6	4.4	8	-	5.7	0.4	-	1"	1"	18.5	9.4	9.4	20.9	28
JETCOM 132 M	16.7	6.7	4.8	8.2	0.6	4.4	8	-	5.7	0.4	-	1"	1"	18.5	9.4	9.4	23.1	28
JET 50	15.6	15.5	8.6	4.2	7.6	0.6	4.4	8.1	-	5.7	0.4	1"	1"	18.5	9.4	9.4	23.6	28
JET 75	16.5	16.3	8.6	4.2	7.6	0.6	4.4	8.5	7	5.7	0.4	1"	1"	18.5	9.4	9.4	27.6	28
JET 75-1	15.6	15.4	7	4.3	7.6	0.6	4.4	7.6	-	5.7	0.4	1"	1"	18.5	9.4	9.4	25.8	28
JET 100	16.3	16.1	7	4.3	7.6	0.6	4.4	8	-	5.7	0.4	1"	1"	18.5	9.4	9.4	29.8	28
JET 100-1	16.3	16.1	10.4	4.3	7.6	0.6	4.4	8	-	5.7	0.4	1"	1"	18.5	9.4	9.4	29.8	28
JET 150	22	8.3	8.7	13.8	0.8	5.7	0.4	10	6,2	-	-	1 1/4"	1"	24.1	9.8	11	68.3	18
JET 200	24.9	8.3	8.7	13.8	0.8	5.7	0.4	10	6,2	-	-	1 1/4"	1"	25.9	9.8	11	77.2	15