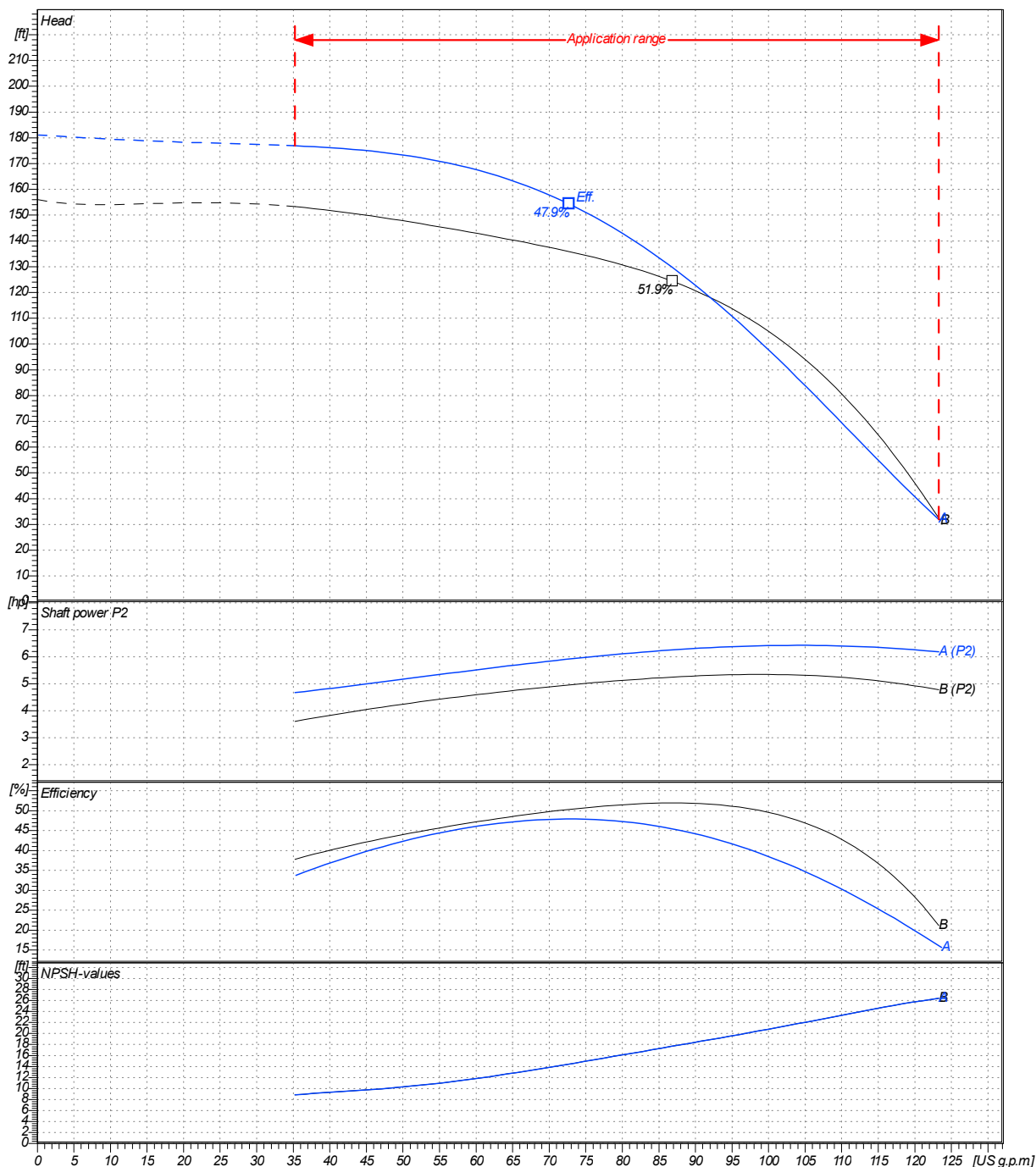


| | |
|---------------------|-------------|
| Receiver | From |
| Company name | |
| Respons. Department | |
| Person in charge | |
| Phone number | |
| Fax no | |
| E-mail address | |

| | | | |
|------------------------------|----------------------------|--------------------------|---|
| Operating area | Flow | Head | Impeller type |
| Operating data specification | 0 US g.p.m | 0 ft | Impeller construction: Closed |
| Pump data | US g.p.m | ft | Sense of rotation: Clockwise from the drive end |
| | | | Outlet width: DN 32 |
| | Shaft power P2 | | Speed: rpm 3600 |
| | Min. Max. η Max. | H(Q=0) η Max. | Frequency: Hz 60 Hz |
| | US g.p.m US g.p.m US g.p.m | ft ft | |
| | 35.2 123 72.7 | 181 154 | |
| | | P2(Q=0) Max. η Max. | |
| | | hp hp hp | |
| | | 6.43 5.92 | |

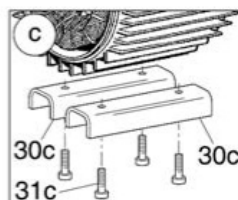
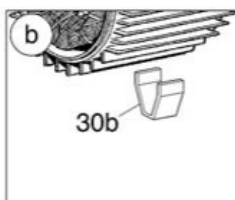
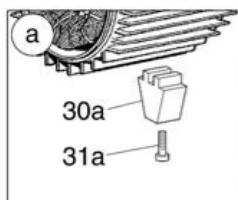
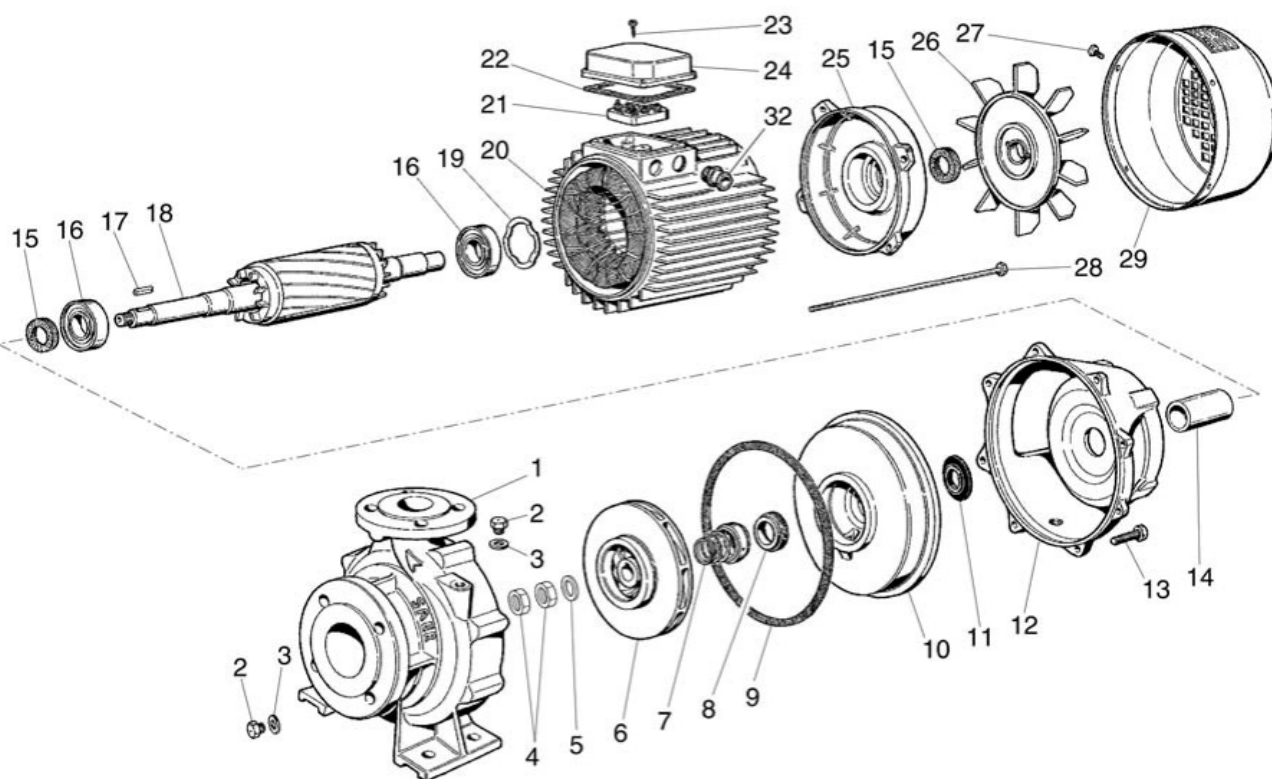
Performance data based to: Water, pure [100%]; 68°F; 62.3lb/ft³; 1.08E-5ft²/s

UNI EN ISO 9906:2012 - Grade 3B



| | | | | |
|---------|------------|------------|------------|-------------|
| Project | Project ID | Created by | Created on | Last update |
| | | | 2020/07/16 | |

Company name
Respons. Department
Person in charge
Phone number
Fax no
E-mail address



Project

Project ID

Created by

Created on
2020/07/16

Last update