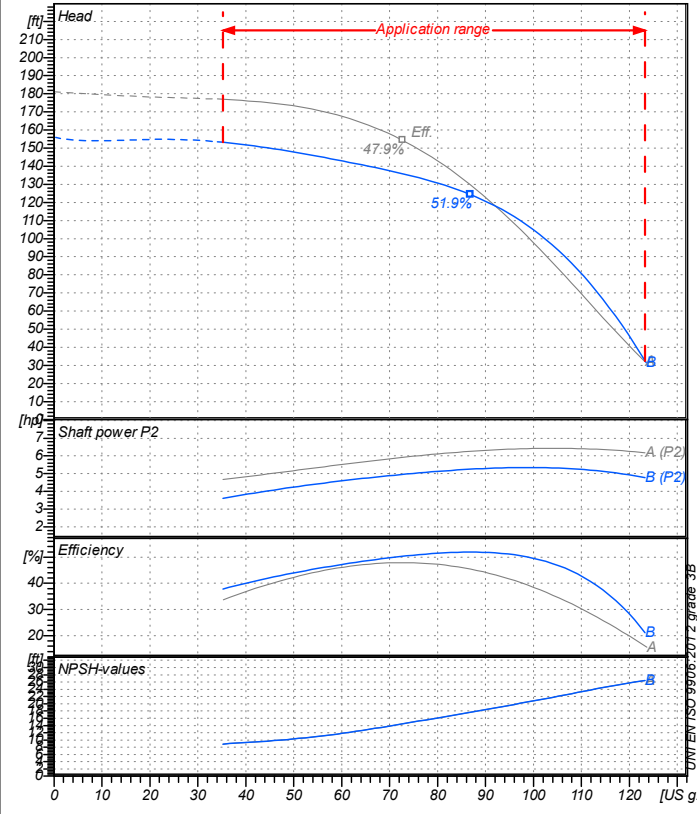


Company name
 Respons. Department
 Person in charge
 Phone number
 Fax no
 E-mail address

Receiver	From



Operating data specification

Nominal flow	US g.p.m 0
Nominal head	ft 0
Static head	ft 0
NPSH - value of plant	ft 0
Inlet pressure	psi 1.42
Fluid	Water, pure
Operating temperature t A	°F 68
Density at t A	lb/ft³ 62.32
Kin. viscosity at t A	ft²/s 1.082E-5

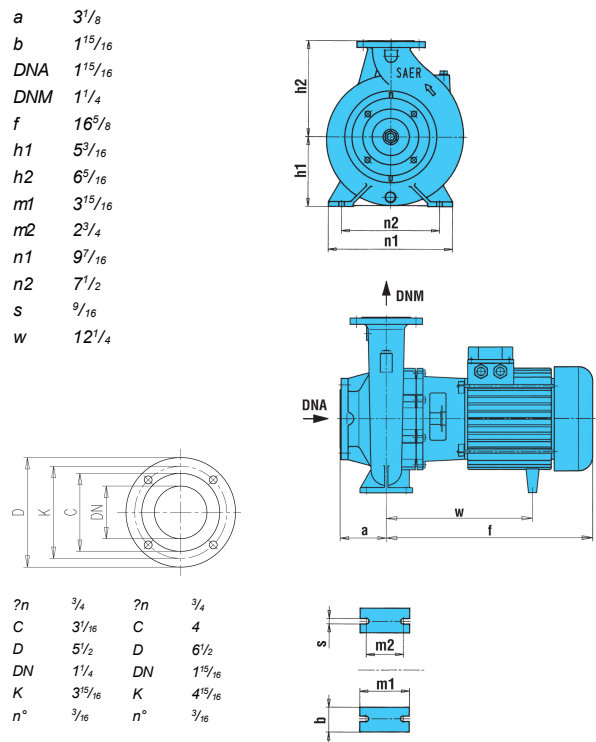
Pump

Pump name		6IR32-160B	
Size		50/32/160	
Design			
Speed	rpm	3600	No of stages 1
Impeller type			
Flow	Nominal	US g.p.m	
	Max-	US g.p.m 123	
	Min-	US g.p.m 35.2	
Head	Nominal	ft	
	Max-	ft 153	
	Min-	ft 31.6	
Head H(Q=0)		ft 156	
NPSH 3%		ft	
Max. working pressure		psi 67.5	
Shaft power		hp	
Efficiency		%	
Max absorbed power		hp 5.3491	

Materials Pump

Shaft	Stainless steel AISI 431 (1.4057)		
Impeller	Cast iron EN-GJL-250		
Pump body	Cast iron EN-GJL-250		
Seal disc	Cast iron EN-GJL-250		
Gasket	Natural fiber		
Mechanical seal	BVEG (Grafito/Ossido Allumina/EPDM)		

Dimensions in inch



Motor	Frame size	112 M		
Manufacturer / Type	SAER	MEC112M-2P-4		
Rated power	hp	5.3641	Efficiency 4/4	85.5 %
Electric current	A	7.3 A	Speed	rpm 3600
Electric voltage	V	460V	3~	Hz 60
Starting mode	Unknown			
Degree of protection	IP 55	Insulation class	F	

Remarks:

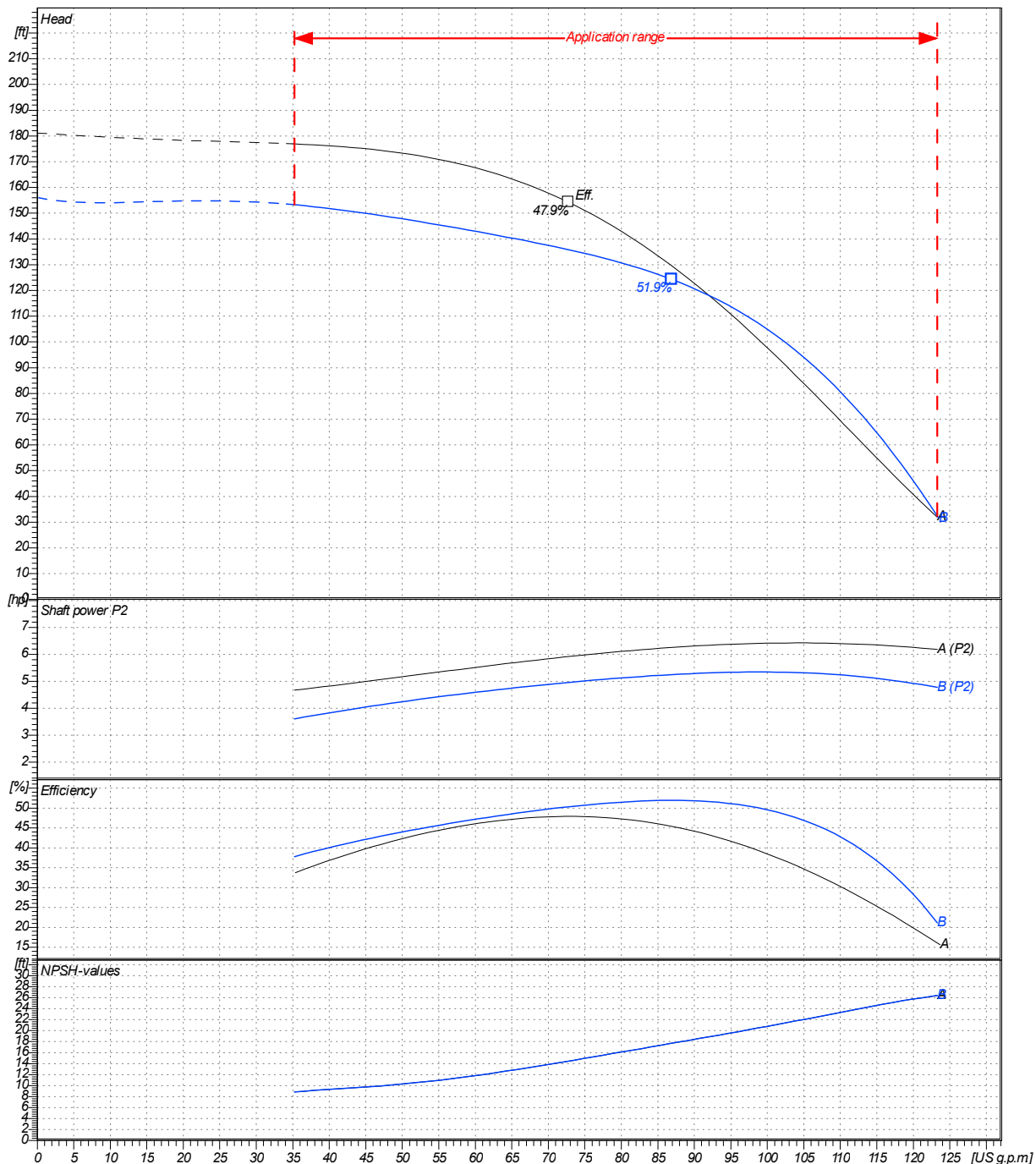
Project	Project ID	Created by	Created on	Last update
			2020/07/16	

Receiver	From
Company name	
Respons. Department	
Person in charge	
Phone number	
Fax no	
E-mail address	

Operating area	Flow	Head	Impeller type
Operating data specification	0 US g.p.m	0 ft	Impeller construction: Closed
Pump data	US g.p.m	ft	Sense of rotation: Clockwise from the drive end
			Outlet width: DN 32
	Shaft power P2		Speed: rpm 3600
	Min. Max. η Max.	H(Q=0) η Max.	Frequency: Hz 60 Hz
	US g.p.m US g.p.m US g.p.m	ft ft	
	35.2 123 86.9	156 124	
		P2(Q=0) Max. η Max.	
		hp hp hp	
		5.35 5.25	

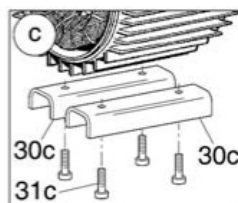
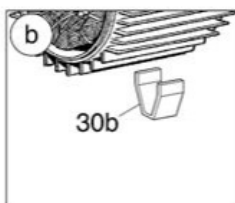
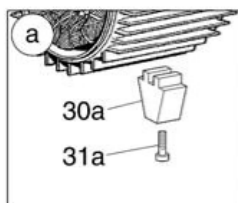
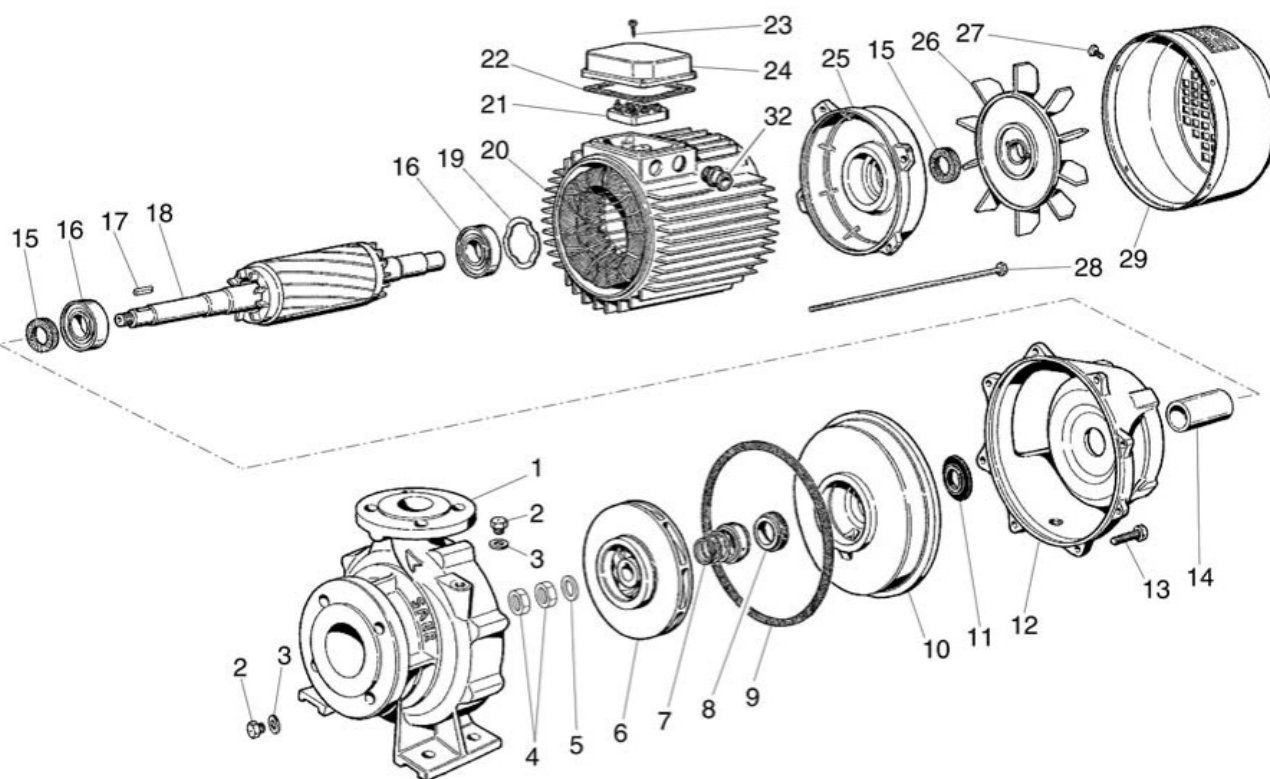
Performance data based to: Water, pure [100%]; 68°F; 62.3lb/ft³; 1.08E-5ft²/s

UNI EN ISO 9906:2012 - Grade 3B



Project	Project ID	Created by	Created on	Last update
			2020/07/16	

Company name
Respons. Department
Person in charge
Phone number
Fax no
E-mail address



Project

Project ID

Created by

Created on
2020/07/16

Last update